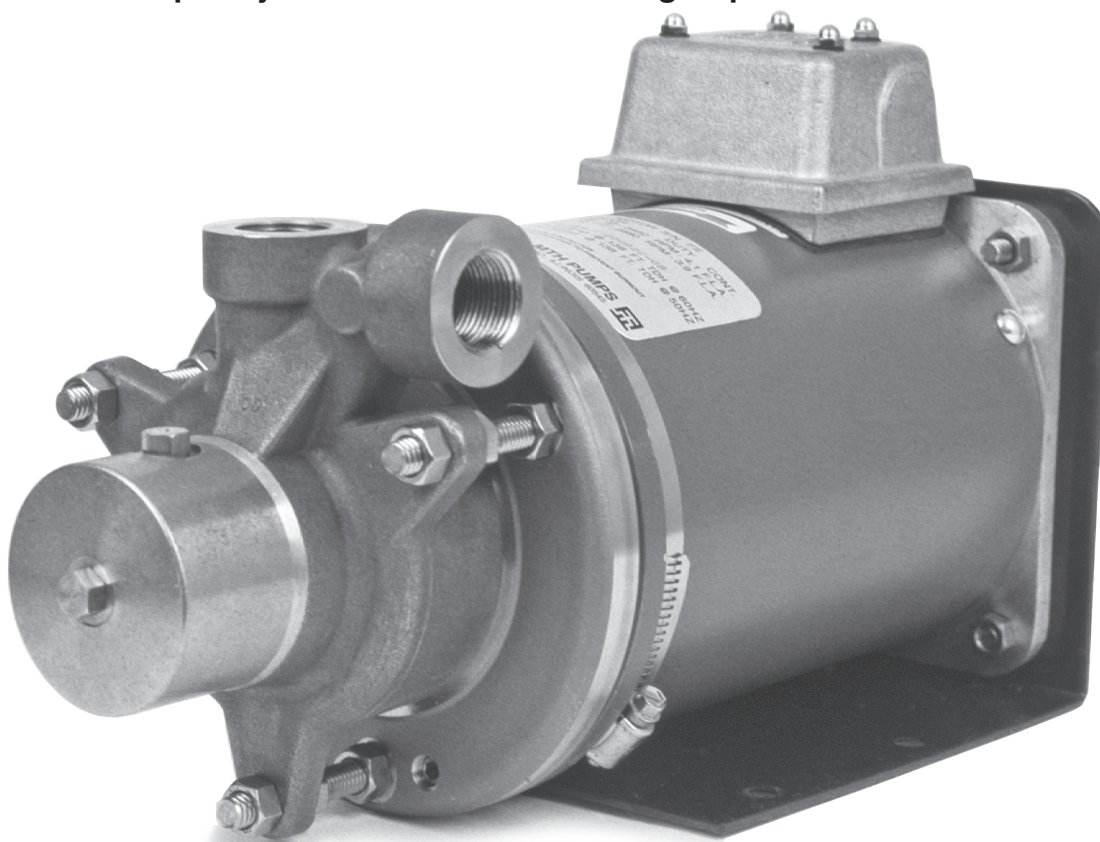


MTH PUMPS

# X41 Series

- Extremely Long Service Life
- Leak Free Sealless Design
- Canned Stator Motor
- Capacities to 22 GPM
- Heads to 450 Feet
- Low NPSH Requirements
- Temperature Range -40°C to 130°C
- Compact Integrated Design
- Stainless Steel Wetted Parts for Excellent Chemical Compatibility
- Standard NPT Threads with optional SAE, BSP, and ISO Available
- Conduit or Electrical Junction Box
- Variable Frequency Drive / Transducer Package Optional



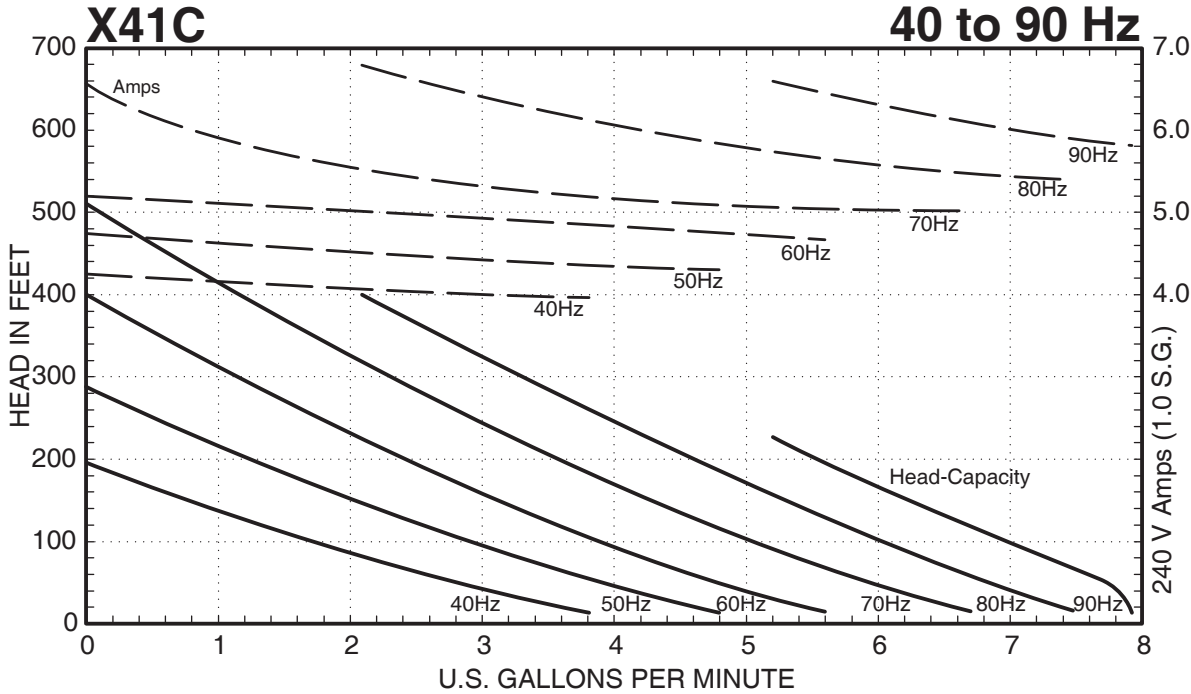
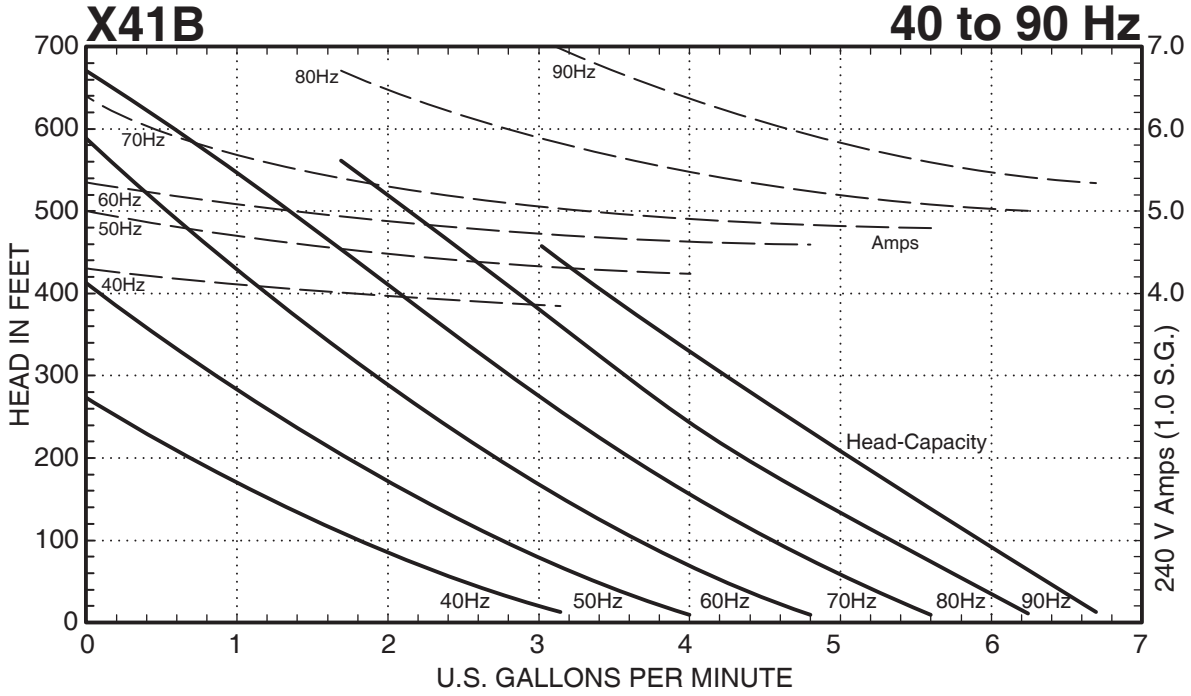
## MTH PUMPS

401 West Main Street • Plano, IL 60545-1436  
Phone: 630-552-4115 • Fax: 630-552-3688  
Email: SALES@MTHPUMPS.COM  
<http://WWW.MTHPUMPS.COM>

X41 SERIES

# Performance Curves

X41 SERIES PUMPS



— — — — — Indicates 240 V Amps

\* Horsepower data is valid for 1.0 specific gravity fluids only

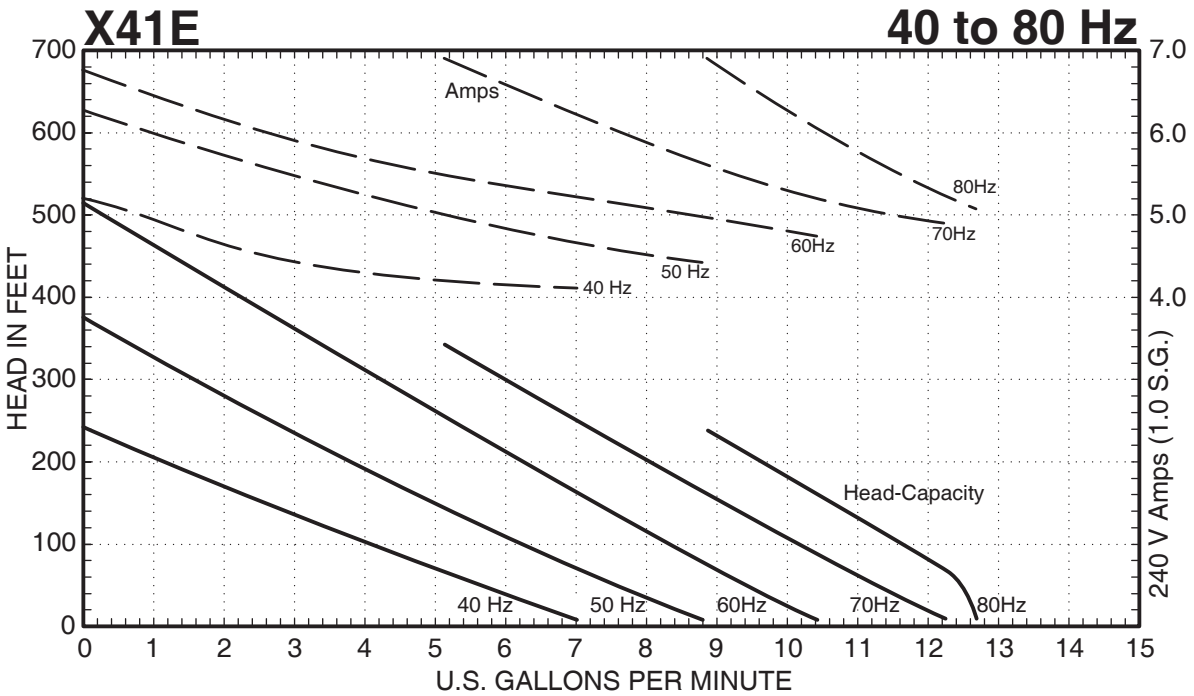
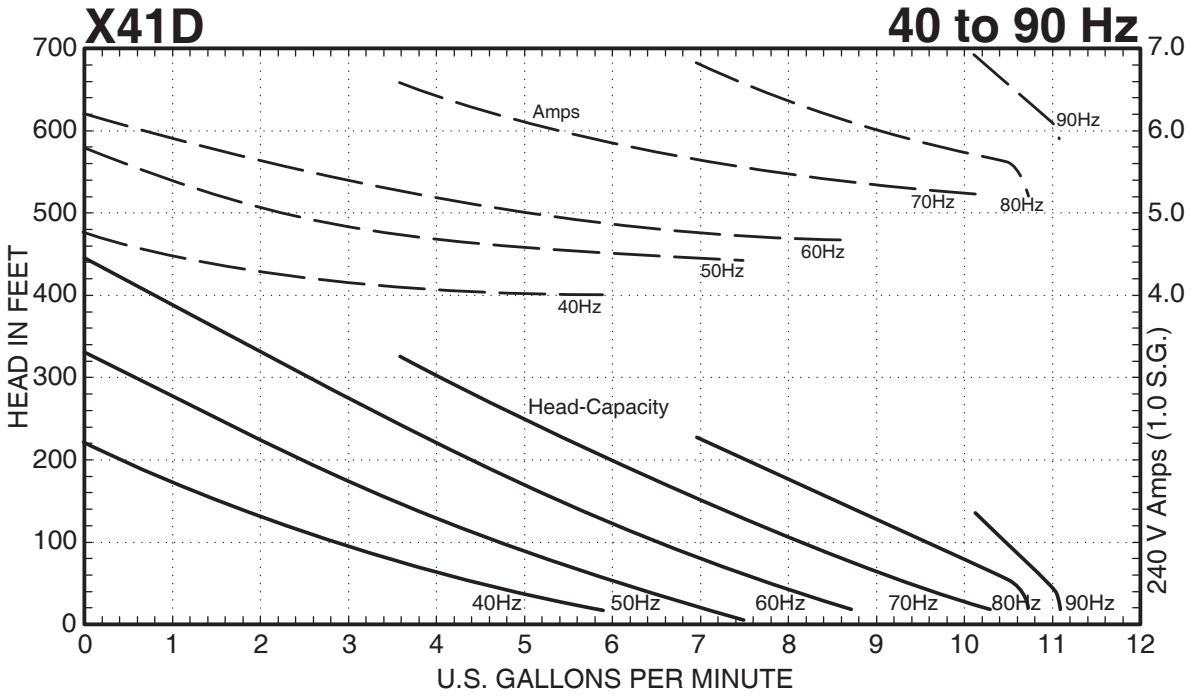


## MTH PUMPS

401 West Main Street • Plano, IL 60545-1436  
 Phone: 630-552-4115 • Fax: 630-552-3688  
 Email: SALES@MTHPUMPS.COM  
 http://WWW.MTHPUMPS.COM

X41 SERIES  
**Performance Curves**

X41 SERIES PUMPS



— — — — — Indicates 240 V Amps

\* Horsepower data is valid for 1.0 specific gravity fluids only



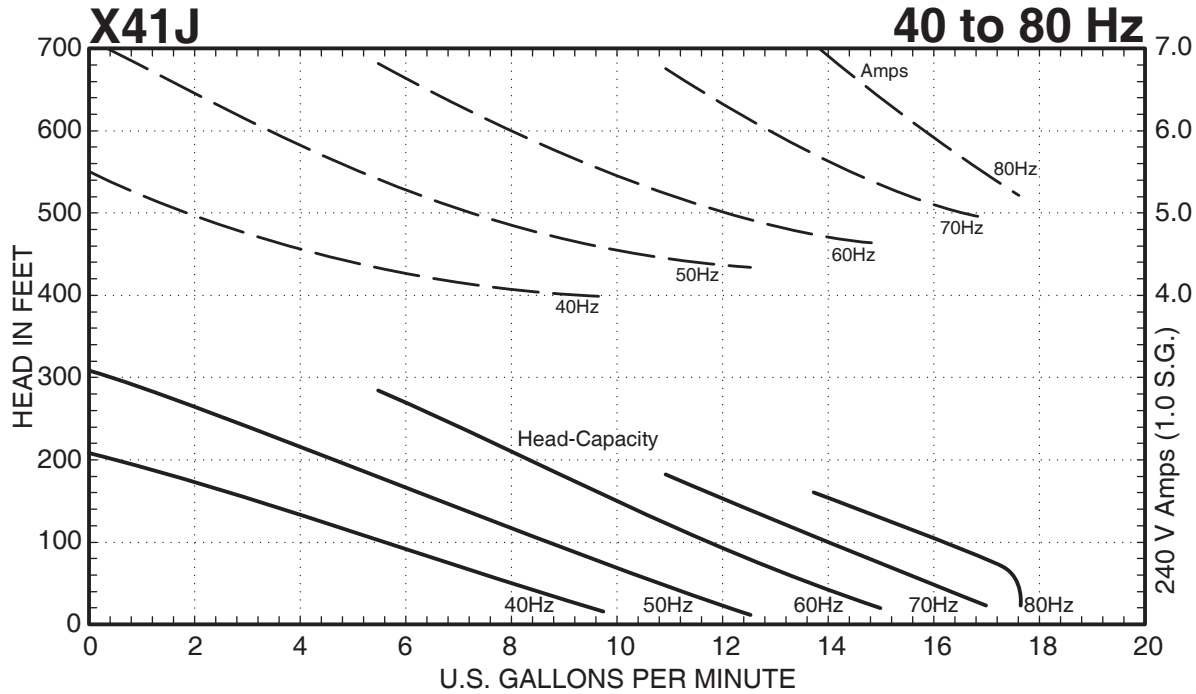
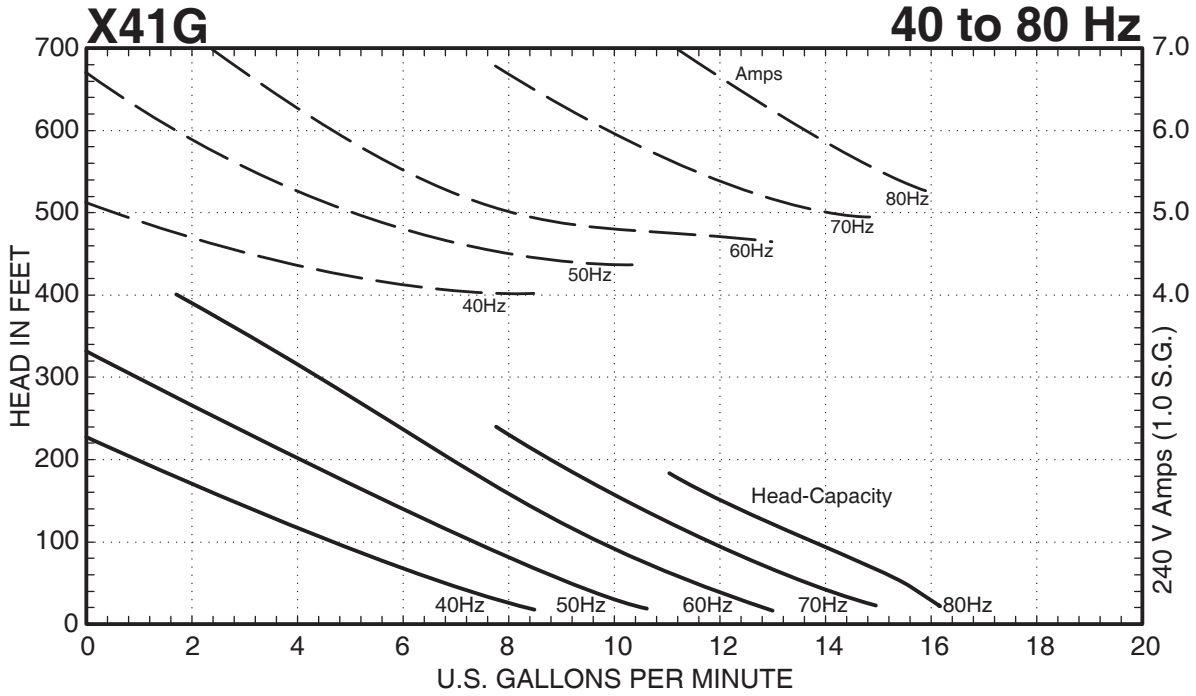
**MTH PUMPS**

401 West Main Street • Plano, IL 60545-1436  
 Phone: 630-552-4115 • Fax: 630-552-3688  
 Email: SALES@MTHPUMPS.COM  
 http://WWW.MTHPUMPS.COM

X41 SERIES

# Performance Curves

X41 SERIES PUMPS



— — — — — Indicates 240 V Amps  
 \* Horsepower data is valid for 1.0 specific gravity fluids only



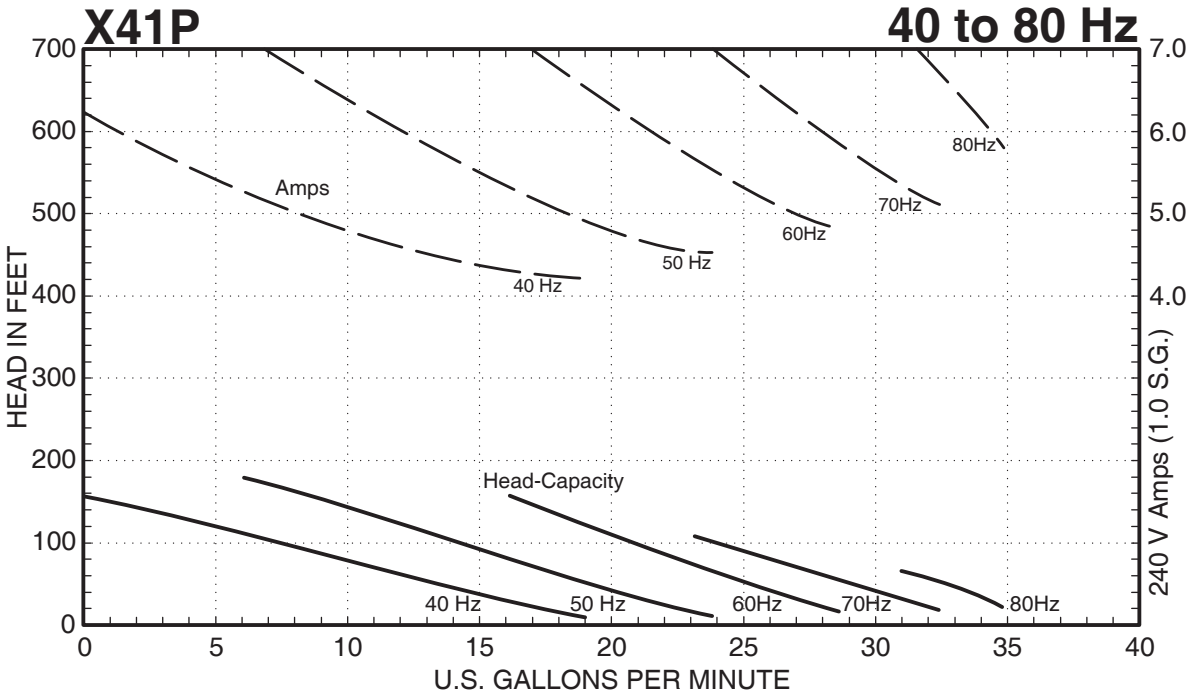
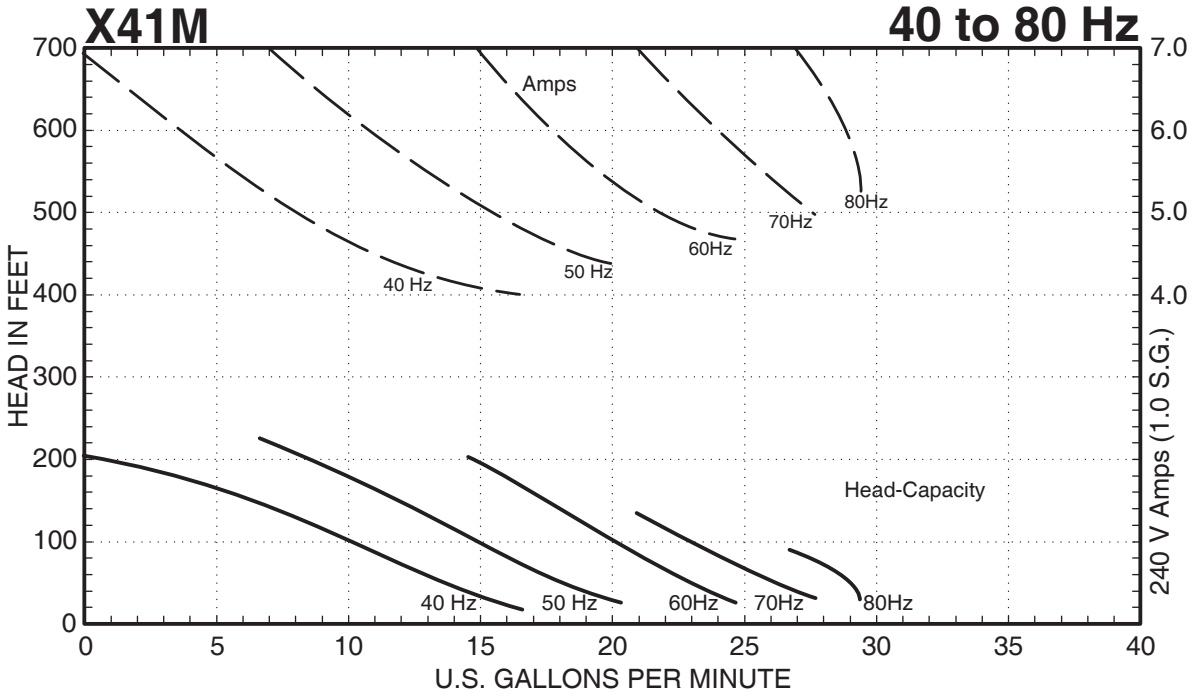
## MTH PUMPS

401 West Main Street • Plano, IL 60545-1436  
 Phone: 630-552-4115 • Fax: 630-552-3688  
 Email: SALES@MTHPUMPS.COM  
 http://WWW.MTHPUMPS.COM

X41 SERIES

# Performance Curves

X41 SERIES PUMPS



— — — — — Indicates 240 V Amps

\* Horsepower data is valid for 1.0 specific gravity fluids only



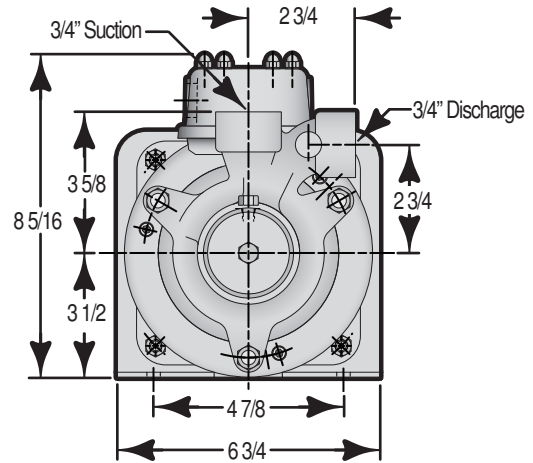
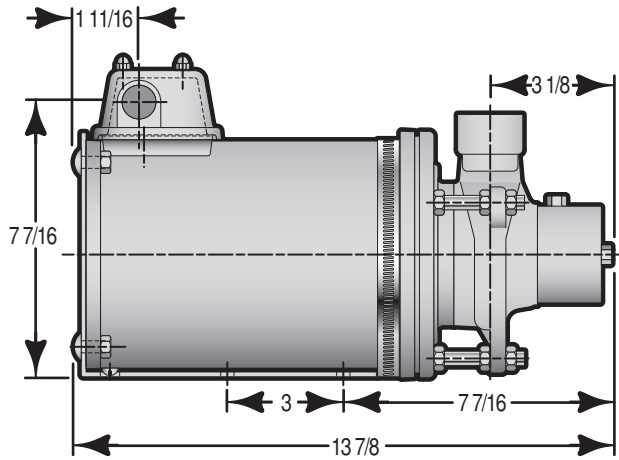
**MTH PUMPS**

401 West Main Street • Plano, IL 60545-1436  
 Phone: 630-552-4115 • Fax: 630-552-3688  
 Email: SALES@MTHPUMPS.COM  
 http://WWW.MTHPUMPS.COM

X41 SERIES

# Dimensions

X41 SERIES PUMPS



### STANDARD MATERIALS

PART	STANDARD STAINLESS STEEL	OPTIONAL MATERIALS
Casing	Stainless Steel AISI 316	Stainless Steel AISI 316
Motor Bracket	Stainless Steel AISI 316	Stainless Steel AISI 316
Impeller	W88 ASTM A494	Optional Impeller Materials are Available
Shaft	Stainless Steel AISI 304	Chrome Oxide Coated
"O" Rings	Viton A	EPR, Buna, Kalrez
Bearings	Carbon	Silicon Carbide

### LIMITATIONS

Case Working Pressure	250 PSI
Differential Pressure (Min.)	25 PSI
Speed <sup>1</sup>	5400 RPM

### Temperature

Max Ambient	40°C
Potted Construction (Std.)	10°C to 130°C
Unpotted Construction <sup>2</sup>	-40°C to 35°C

<sup>1</sup>With Variable Speed Drive @ 90 HZ

<sup>2</sup>Special criteria required to meet or exceed these limitations. Please Consult Factory for further information. Pump, motor, and fluid must be at least 1°C or warmer whenever the unit is started to prevent frost from forming on the motor windings.

## Application Specifications

Type of Service \_\_\_\_\_  
 Fluid Name \_\_\_\_\_  
 Suction Pressure \_\_\_\_\_ Feet of Fluid Head  
 Maximum Flow \_\_\_\_\_ GPM  
 @ \_\_\_\_\_ Feet Total Dynamic Head  
 Minimum Flow \_\_\_\_\_ GPM  
 @ \_\_\_\_\_ Feet Total Dynamic Head  
 Typical Flow \_\_\_\_\_ GPM  
 @ \_\_\_\_\_ Feet Total Dynamic Head  
 Maximum Fluid Temperature \_\_\_\_\_ °C, °F  
 Minimum Fluid Temperature \_\_\_\_\_ °C, °F  
 Typical Operating Fluid Temperature \_\_\_\_\_ °C, °F  
 Net Positive Suction Head Available \_\_\_\_\_ Feet  
 Fluid Head Vapor Pressure \_\_\_\_\_ Feet  
 at Max. Fluid Temp.

Surface Tension \_\_\_\_\_ Dynes per Sq. Centimeter at  
 Maximum Temp.  
 Viscosity of fluid \_\_\_\_\_ at Typical Operating Temp.  
 (Centipoise)  
 Specific Gravity of Fluid \_\_\_\_\_ at Typical Operating Temp.  
 Known Compatible Construction Materials \_\_\_\_\_  
 Known Compatible Elastomers for Static Use \_\_\_\_\_  
 Known Non-Compatible Elastomers \_\_\_\_\_  
 Duty Cycle \_\_\_\_\_ Starts/Hour, Day, or Continuous  
 Duty Cycle \_\_\_\_\_ Hours per Day  
 Available Voltage \_\_\_\_\_ (115/208-230/460)  
 Phase \_\_\_\_\_ (1 or 3)  
 Input Frequency \_\_\_\_\_ (50 or 60 Hertz)  
 Maximum Current Available \_\_\_\_\_ Amps.  
 (Starter or Contactor)



# MTH PUMPS

401 West Main Street • Plano, IL 60545-1436  
 Phone: 630-552-4115 • Fax: 630-552-3688  
 Email: SALES@MTHPUMPS.COM  
 http://WWW.MTHPUMPS.COM