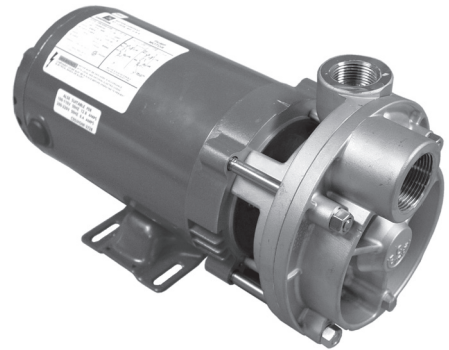
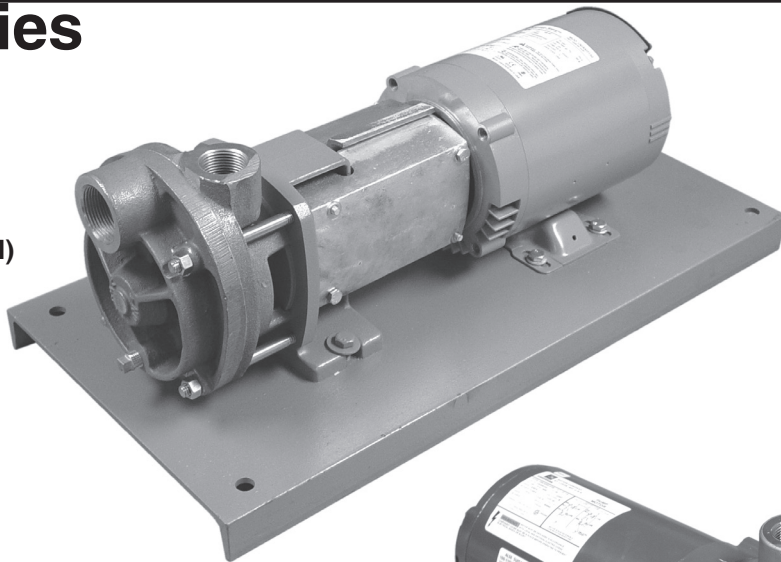


MTH PUMPS

T51 • E51 Series

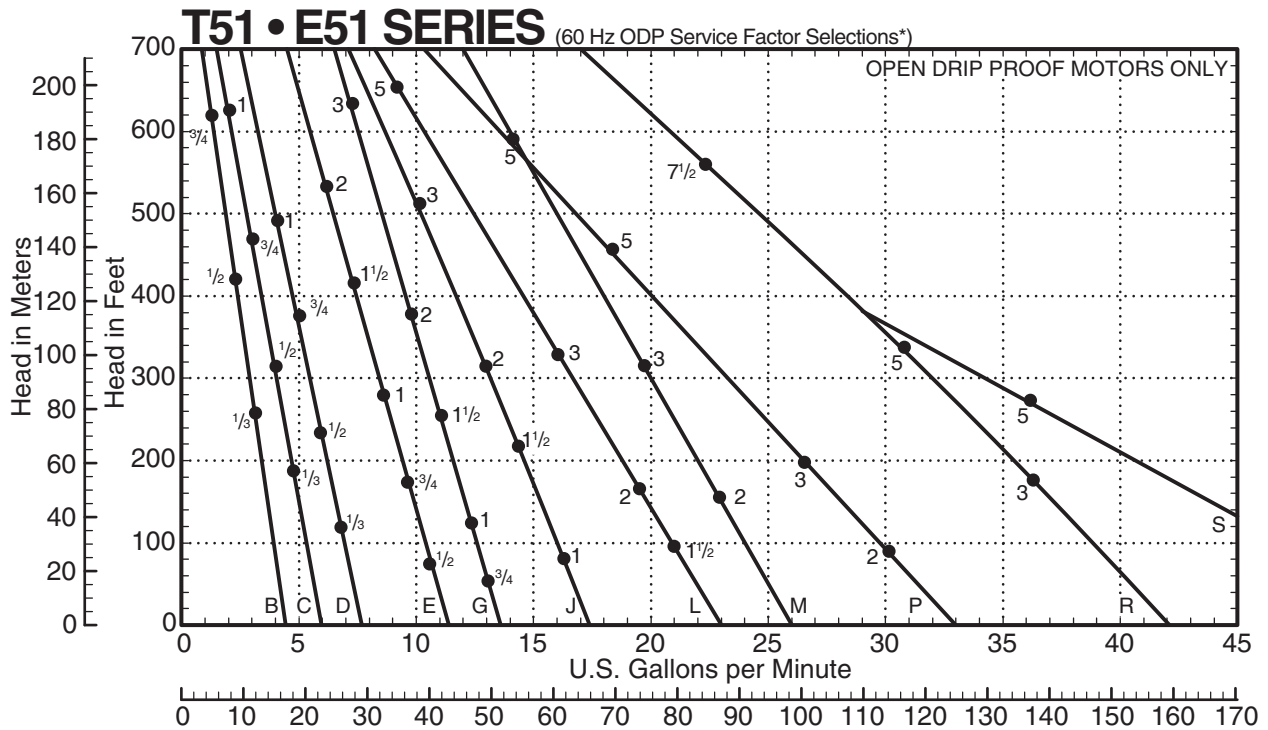
- Capacities to 40 GPM (120 LPM)
- Heads to 700 Feet (213 Meters)
- Low NPSH Requirements
- Horizontal Close Coupled
- Vertical Flange Mounted
- Flex Coupled



E51 • T51 SERIES PUMPS

E51 • T51 SERIES

Composite Curves



* Horsepower data is valid for 1.0 specific gravity fluids only



MTH PUMPS

401 West Main Street • Plano, IL 60545-1436
 Phone: 630-552-4115 • Fax: 630-552-3688
 Email: SALES@MTHPUMPS.COM
<http://WWW.MTHPUMPS.COM>

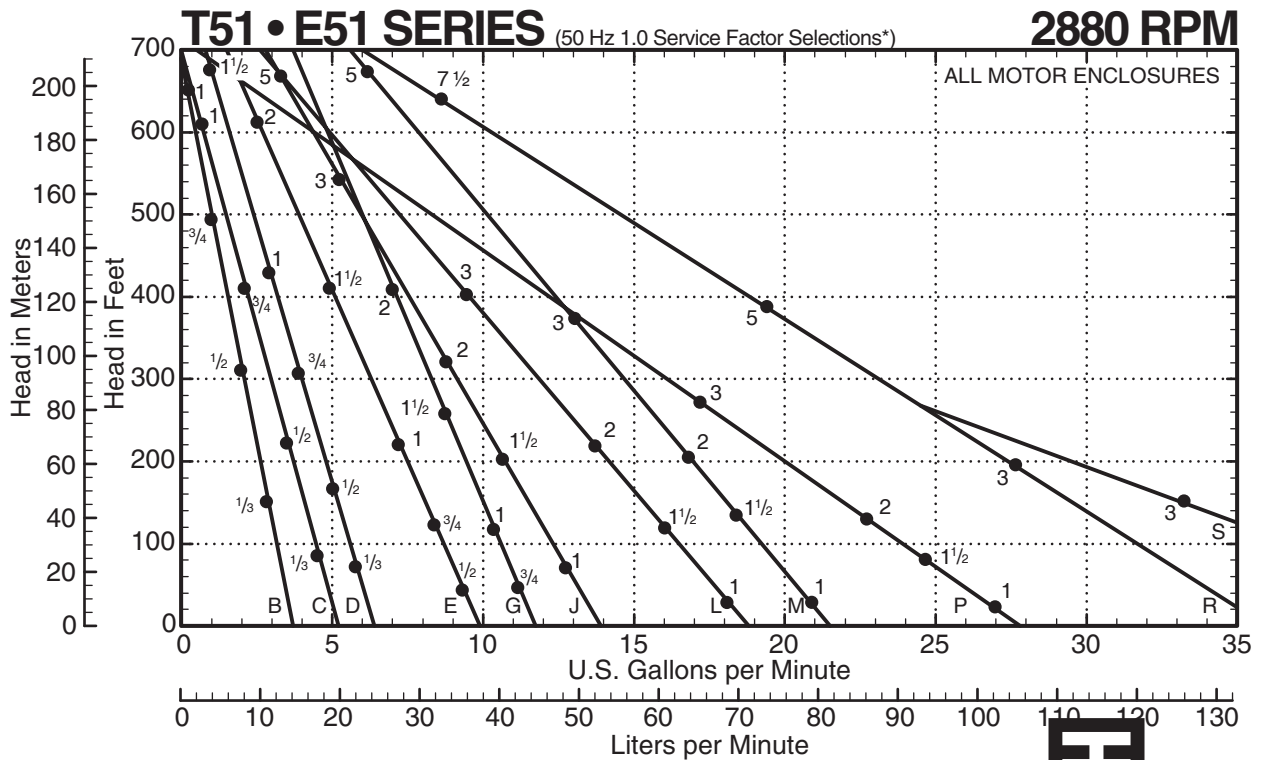
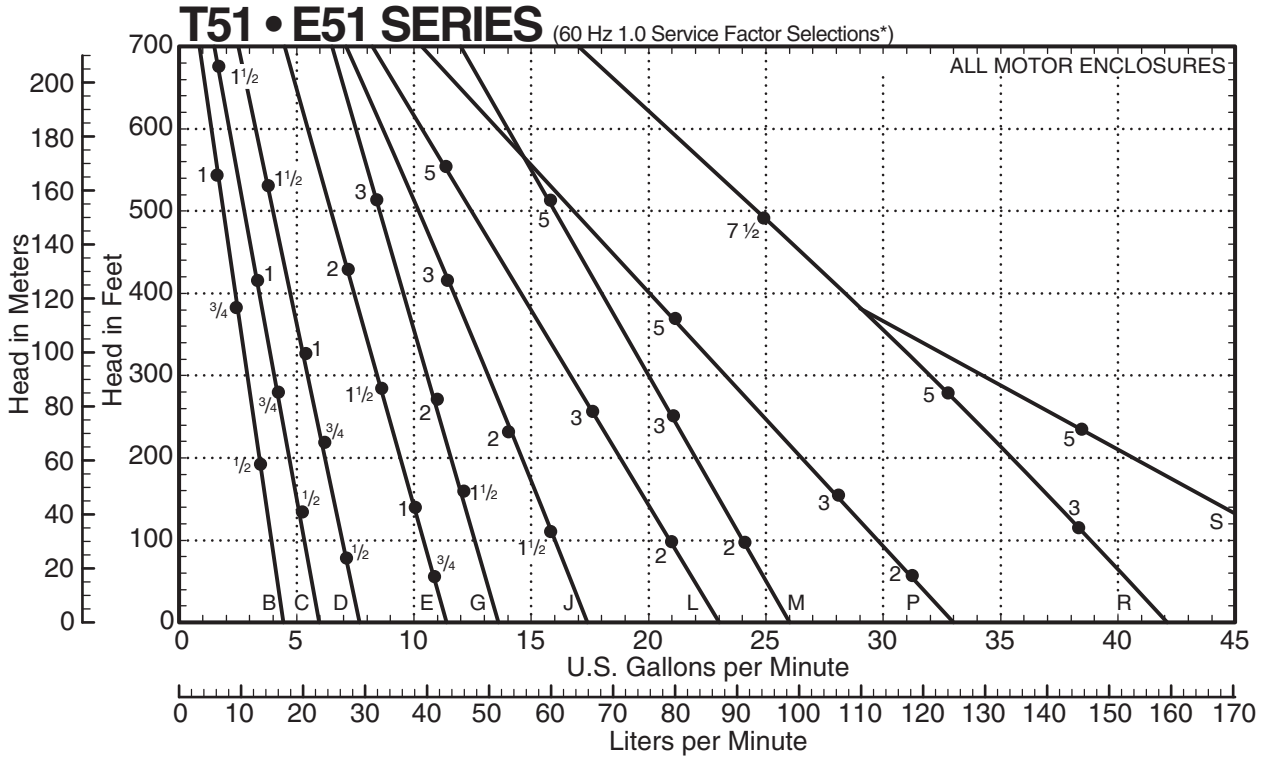


WARNING:
 CANCER AND REPRODUCTIVE HARM
WWW.P65WARNINGS.CA.GOV

E51 • T51 SERIES

Composite Curves

E51 • T51 SERIES PUMPS



MTH PUMPS

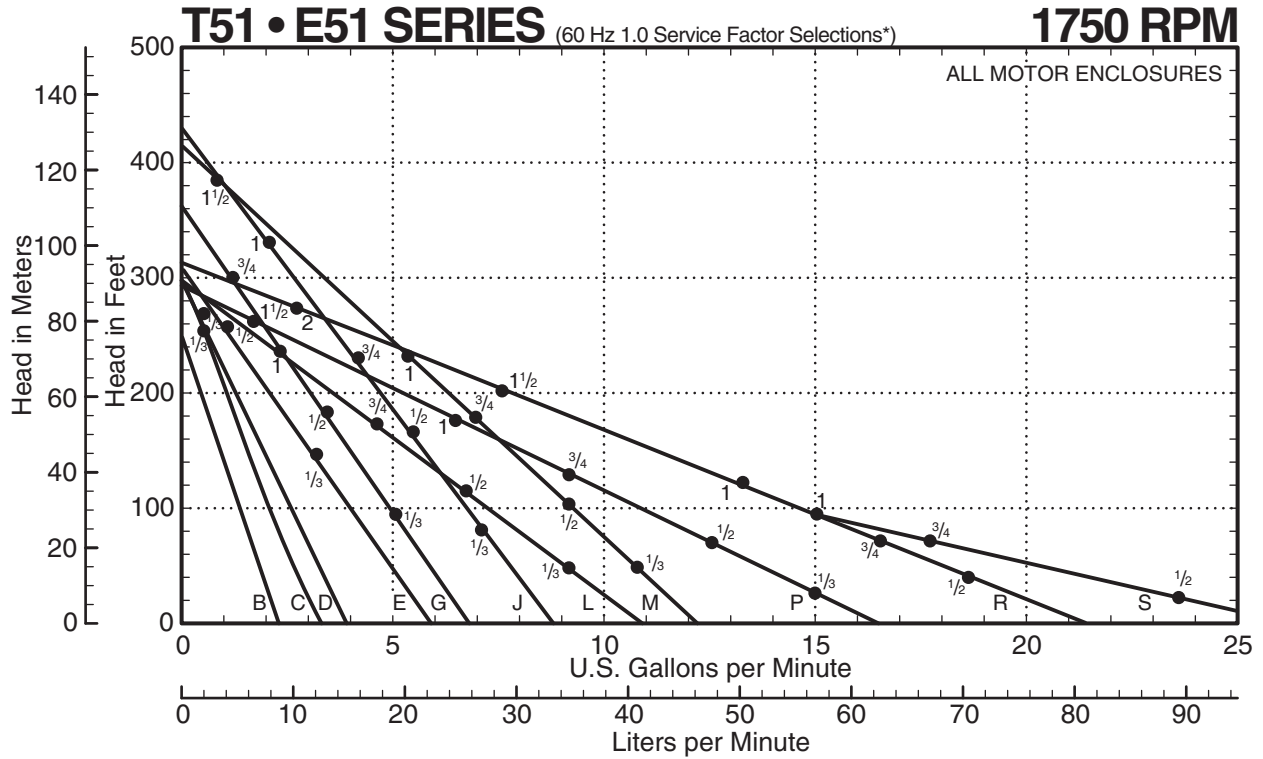
401 West Main Street • Plano, IL 60545-1436
 Phone: 630-552-4115 • Fax: 630-552-3688
 Email: SALES@MTHPUMPS.COM
 http://WWW.MTHPUMPS.COM

* Horsepower data is valid for 1.0 specific gravity fluids only



E51 • T51 SERIES

Composite Curves



E51 • T51 SERIES PUMPS



MTH PUMPS

401 West Main Street • Plano, IL 60545-1436
 Phone: 630-552-4115 • Fax: 630-552-3688
 Email: SALES@MTHPUMPS.COM
<http://WWW.MTHPUMPS.COM>

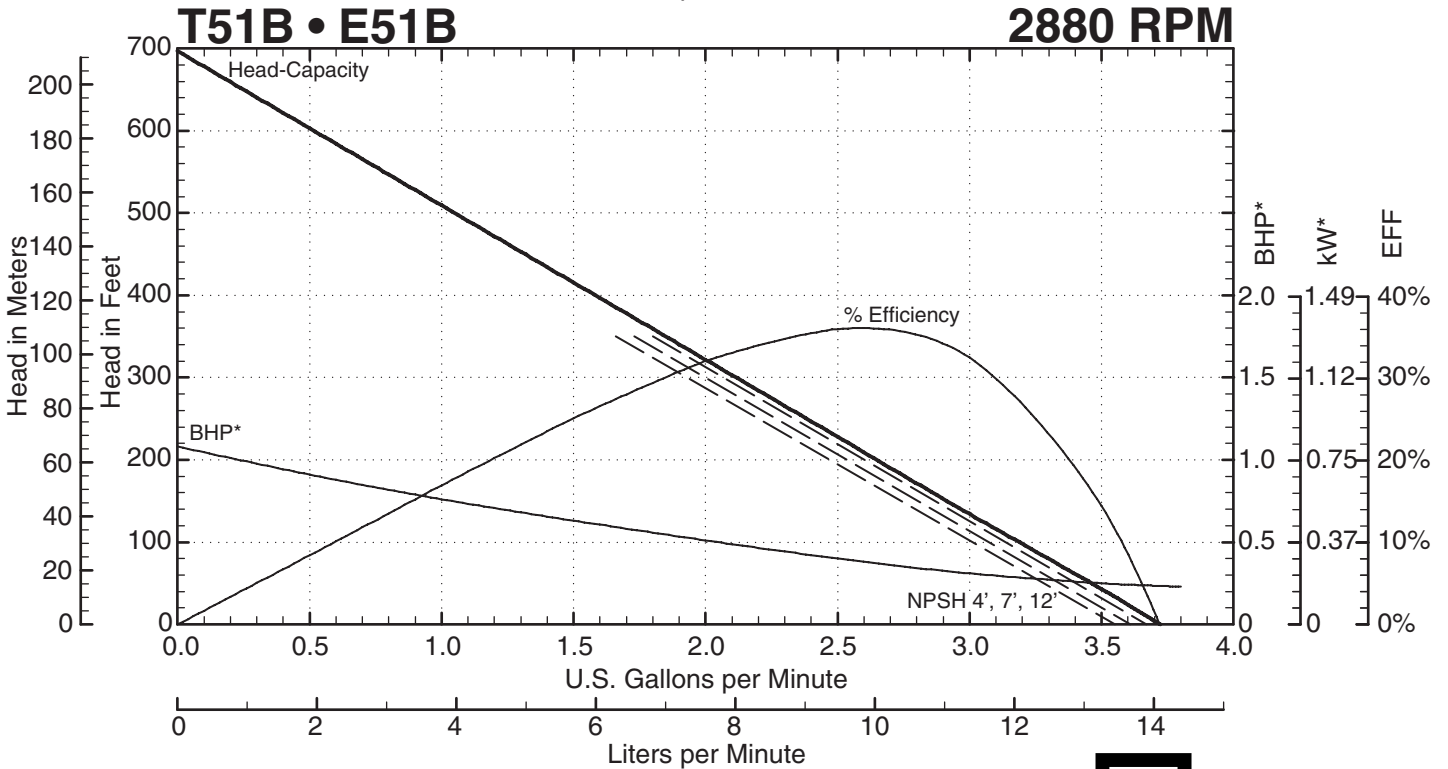
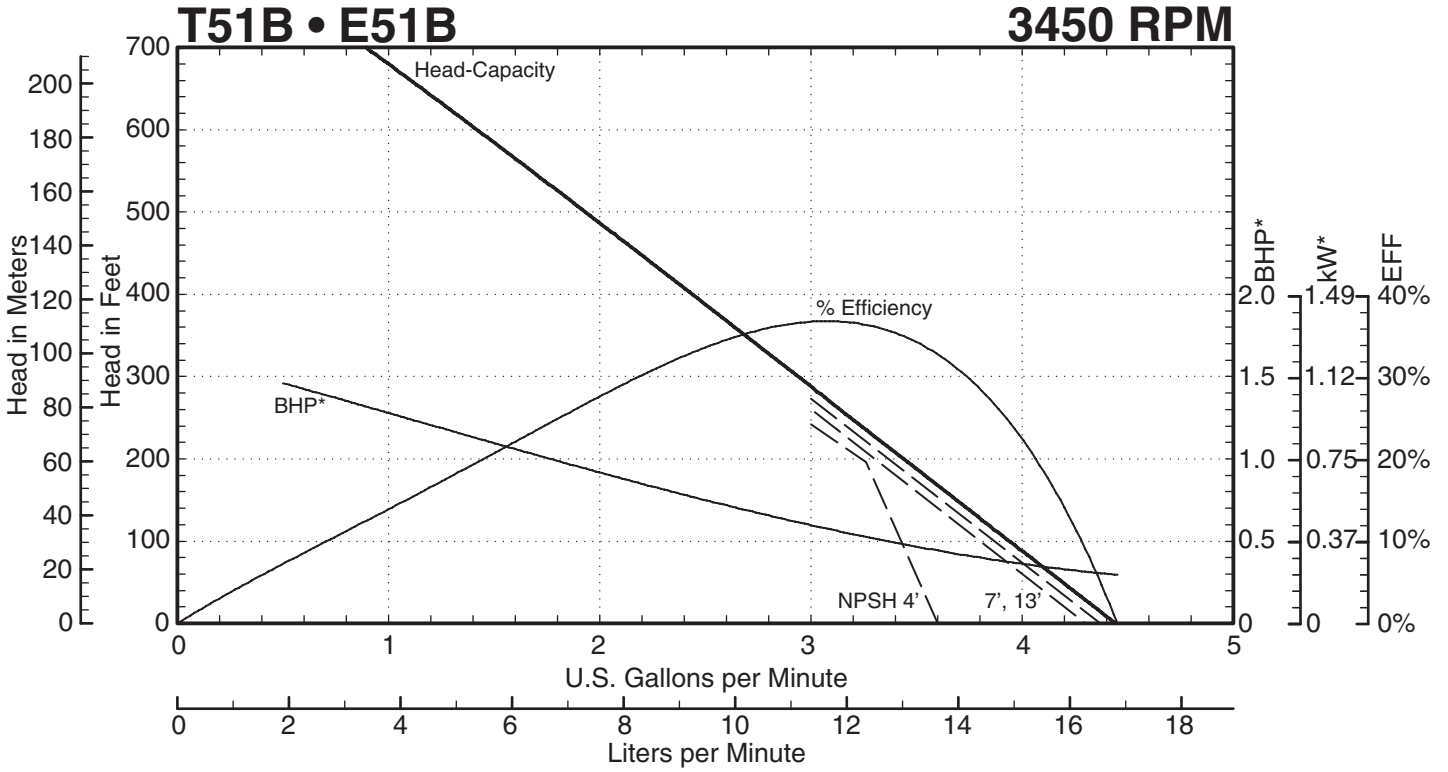
* Horsepower data is valid for 1.0 specific gravity fluids only



T51 SERIES

Performance Curves

E51 • T51 SERIES PUMPS



— — — Indicates altered performance at NPSH Available
 * Horsepower data is valid for 1.0 specific gravity fluids only



MTH PUMPS

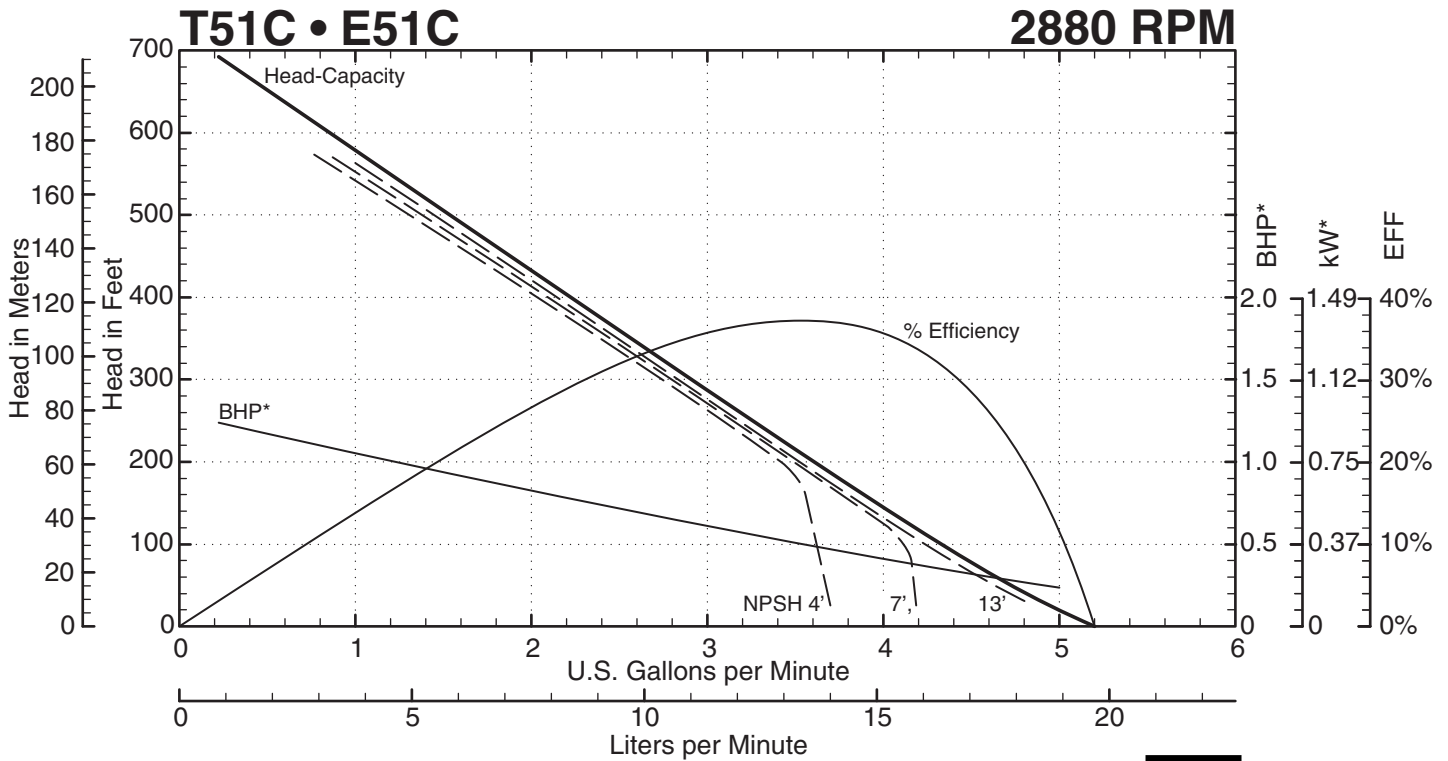
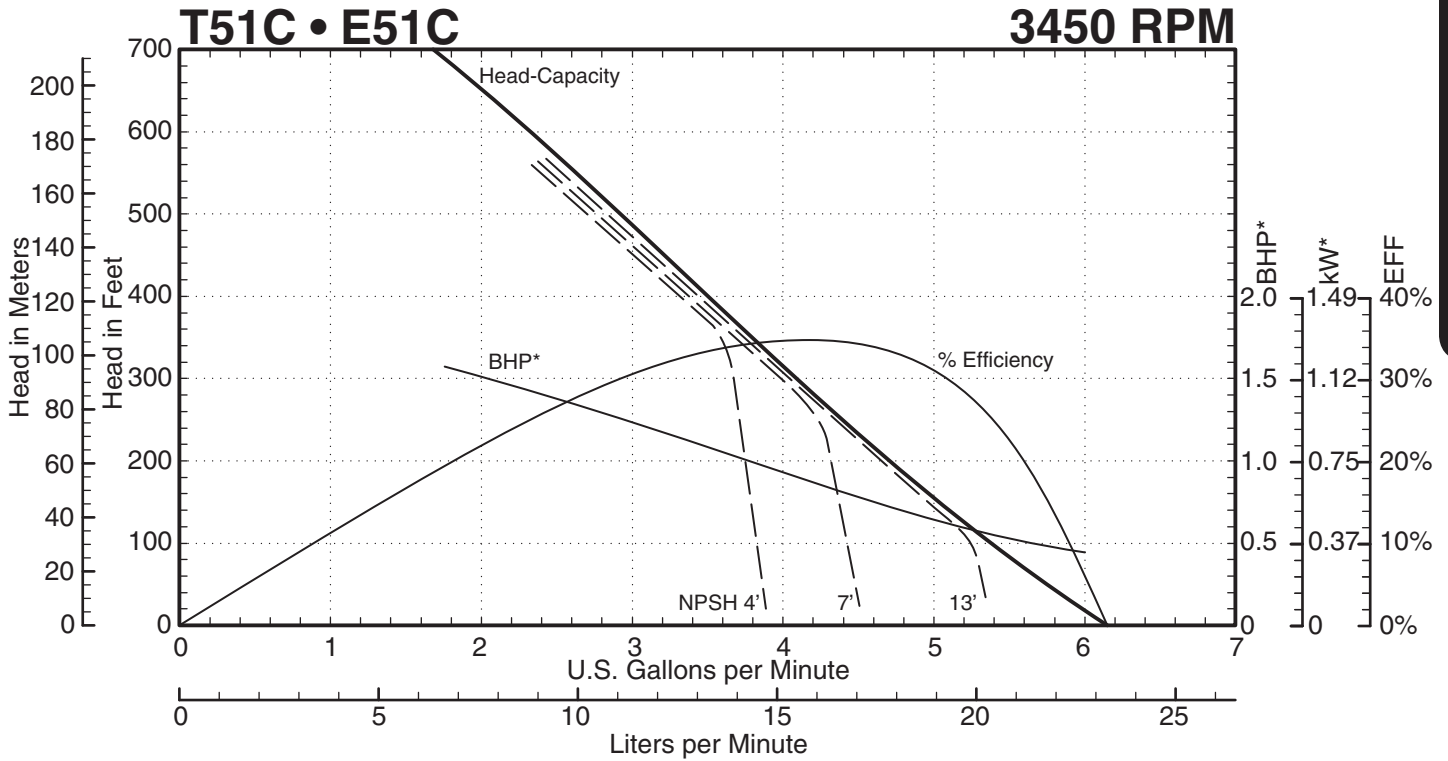
401 West Main Street • Plano, IL 60545-1436
 Phone: 630-552-4115 • Fax: 630-552-3688
 Email: SALES@MTHPUMPS.COM
 http://WWW.MTHPUMPS.COM



T51 SERIES

Performance Curves

E51 • T51 SERIES PUMPS



— — — Indicates altered performance at NPSH Available
 * Horsepower data is valid for 1.0 specific gravity fluids only



MTH PUMPS

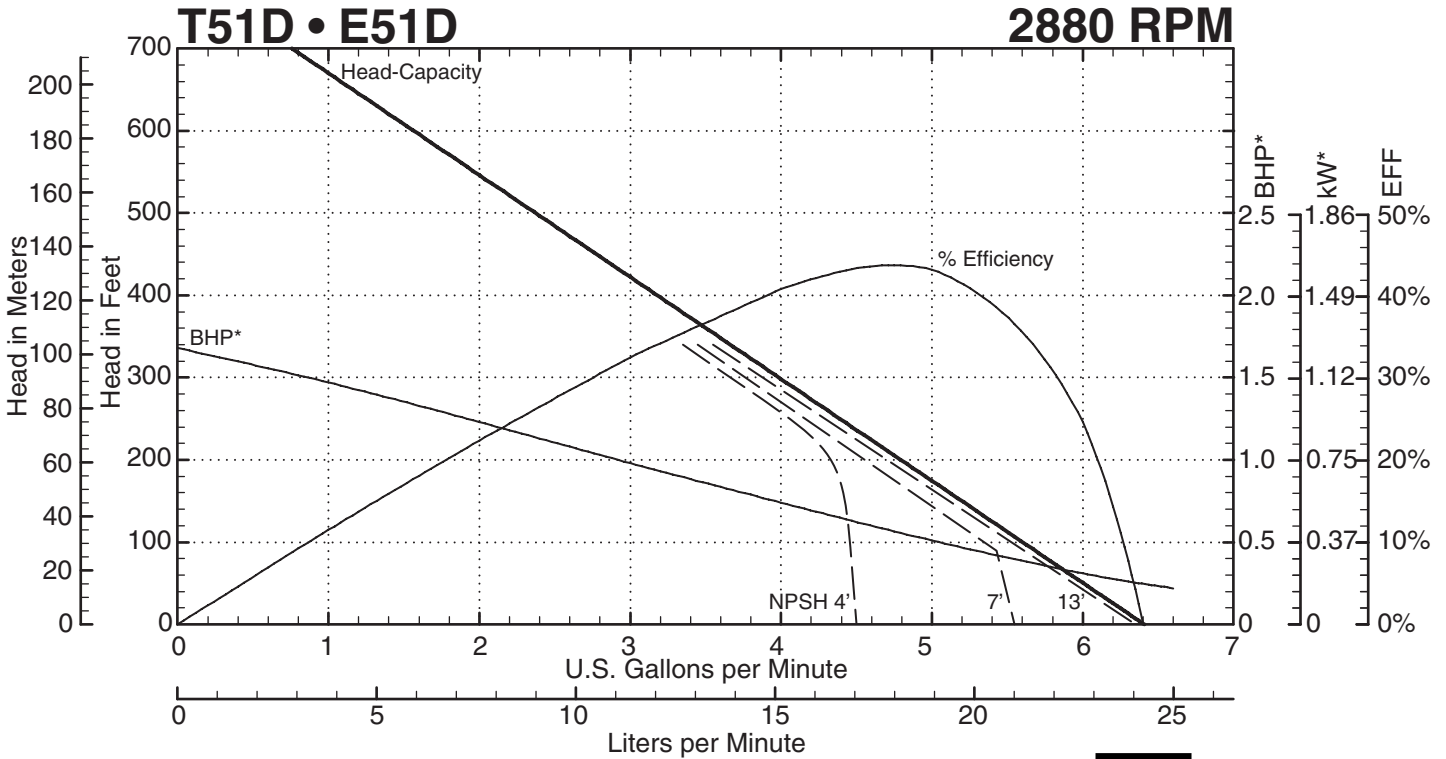
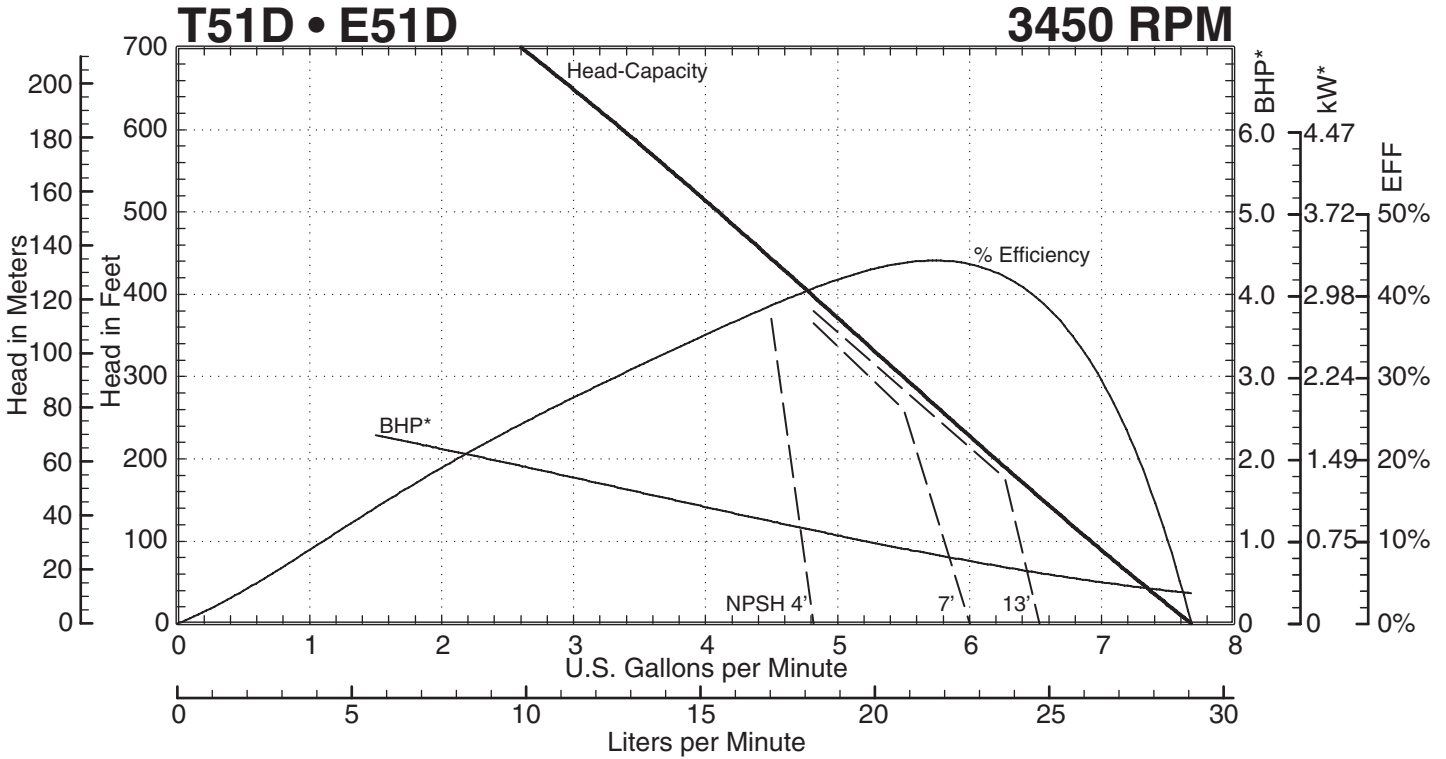
401 West Main Street • Plano, IL 60545-1436
 Phone: 630-552-4115 • Fax: 630-552-3688
 Email: SALES@MTHPUMPS.COM
 http://WWW.MTHPUMPS.COM



T51 SERIES

Performance Curves

E51 • T51 SERIES PUMPS



— — — Indicates altered performance at NPSH Available
 * Horsepower data is valid for 1.0 specific gravity fluids only



MTH PUMPS

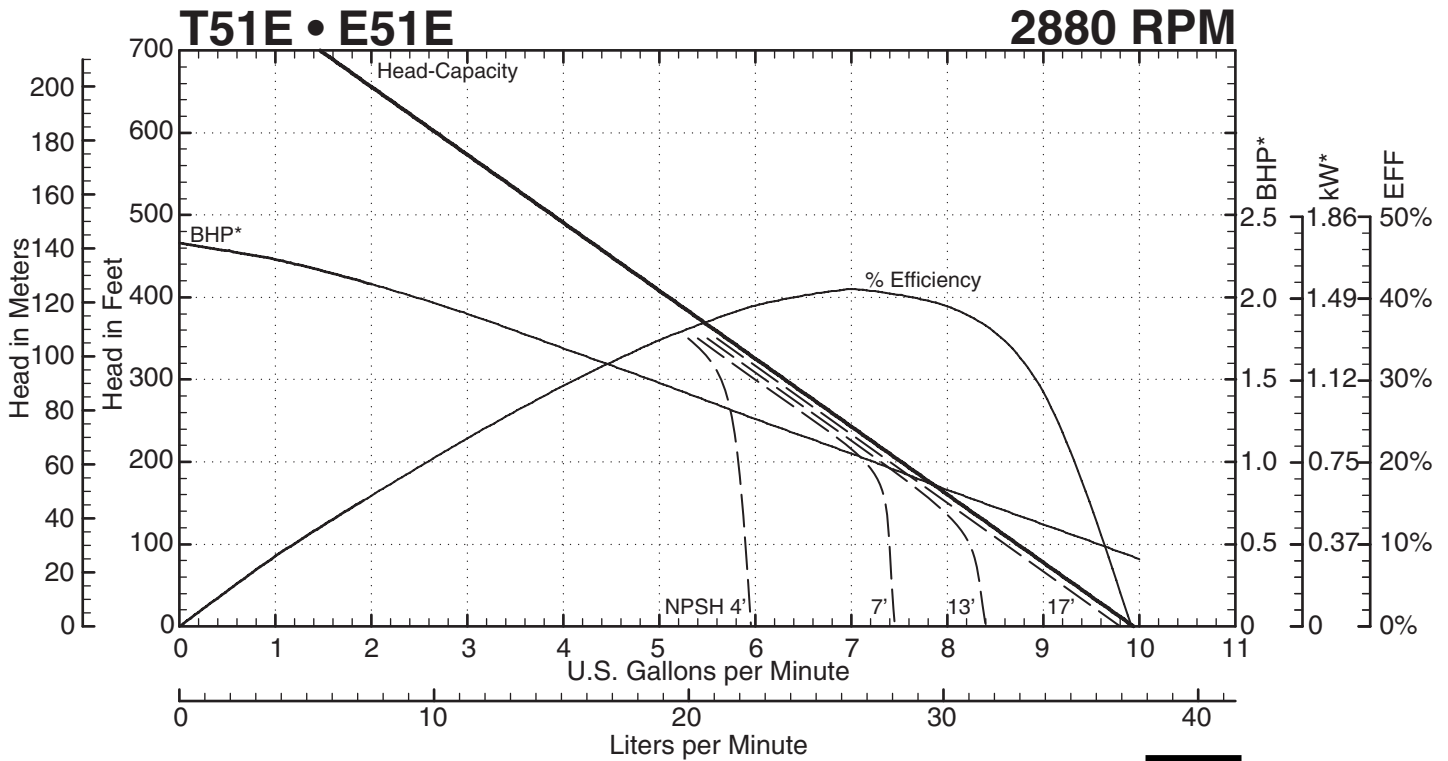
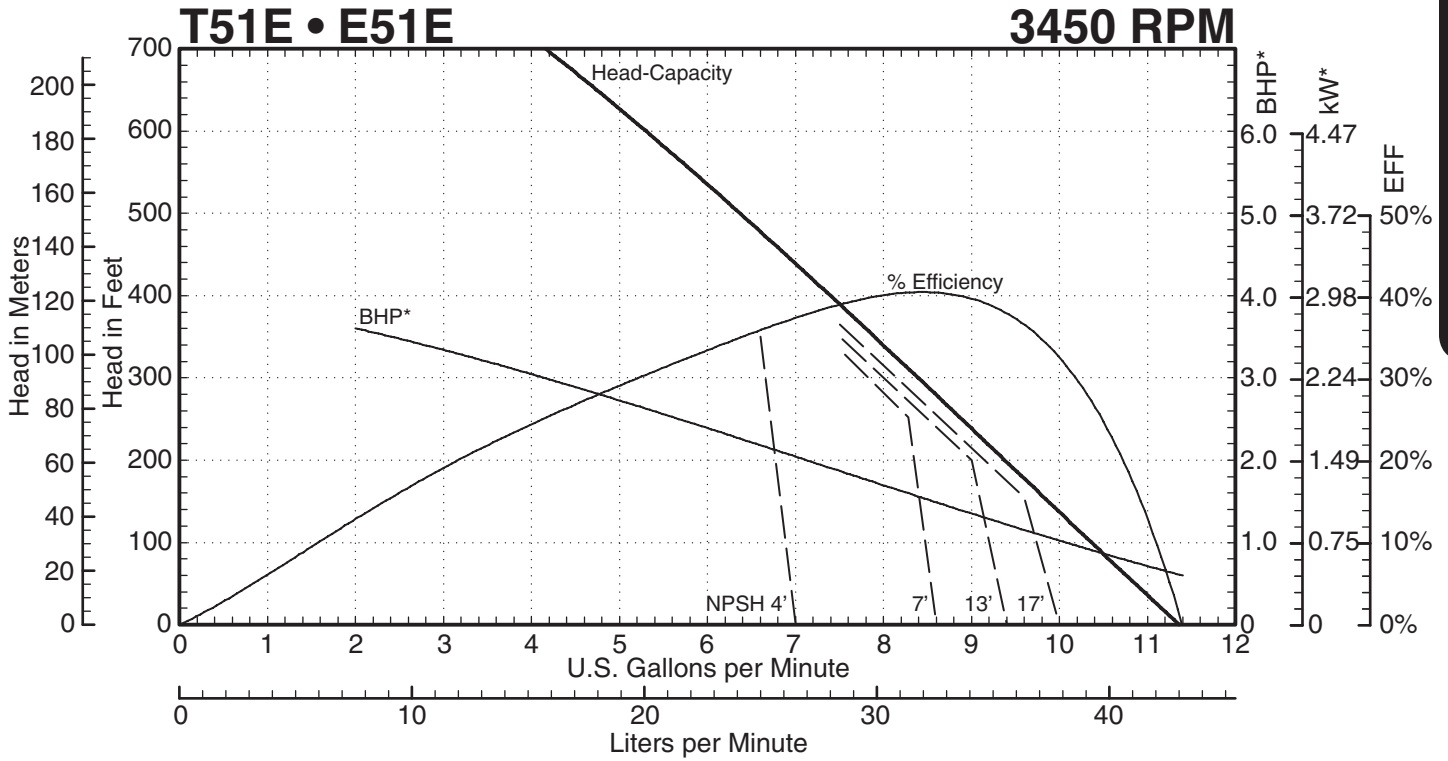
401 West Main Street • Plano, IL 60545-1436
 Phone: 630-552-4115 • Fax: 630-552-3688
 Email: SALES@MTHPUMPS.COM
<http://WWW.MTHPUMPS.COM>



T51 SERIES

Performance Curves

E51 • T51 SERIES PUMPS



— — — Indicates altered performance at NPSH Available
 * Horsepower data is valid for 1.0 specific gravity fluids only



MTH PUMPS

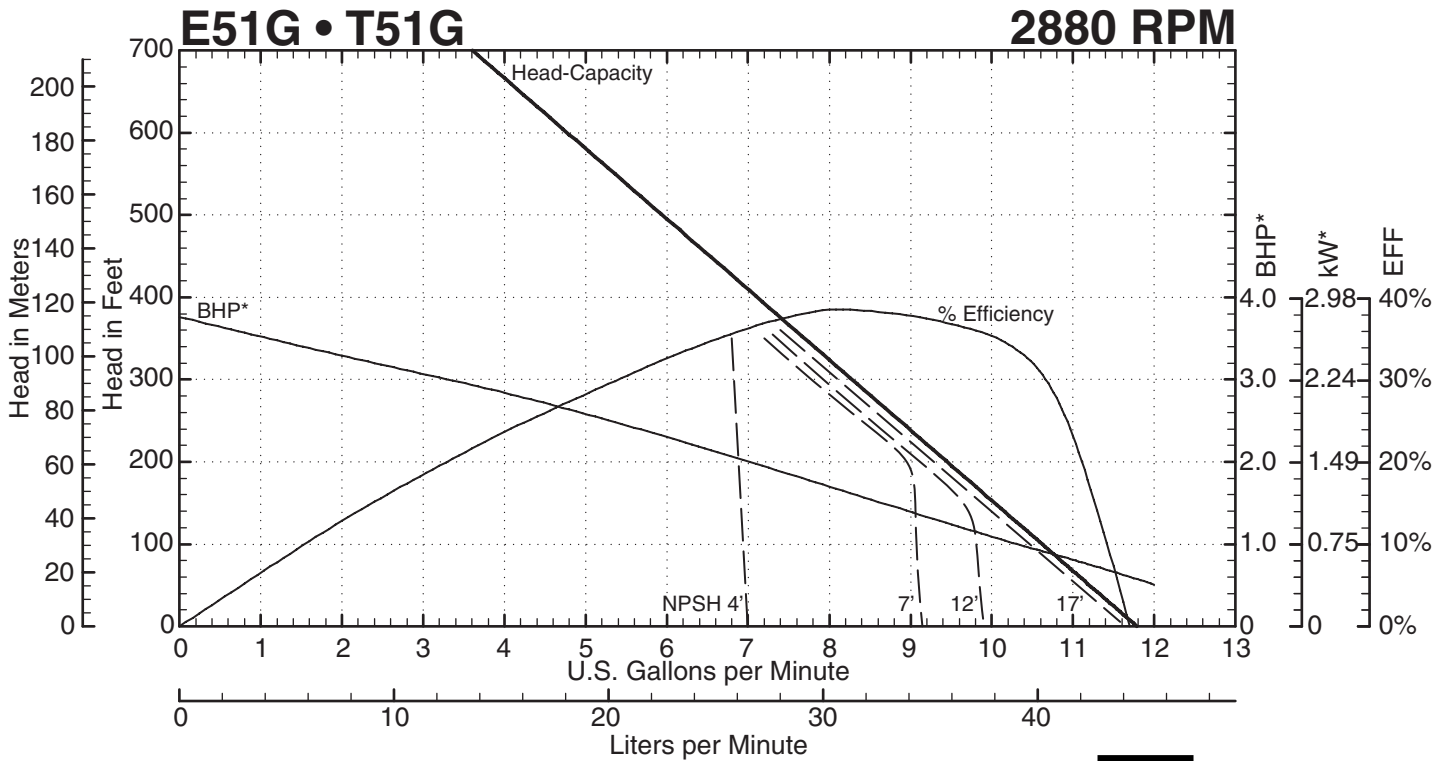
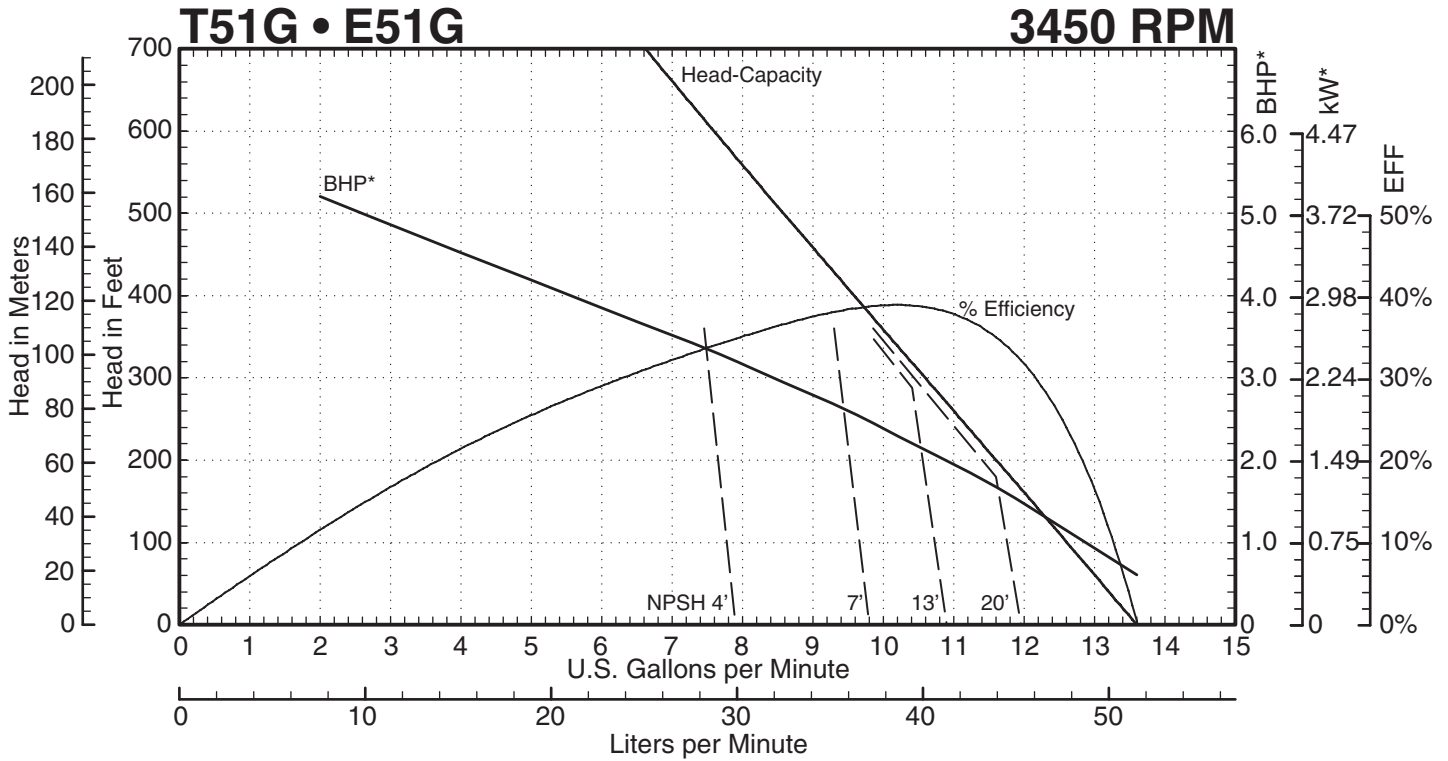
401 West Main Street • Plano, IL 60545-1436
 Phone: 630-552-4115 • Fax: 630-552-3688
 Email: SALES@MTHPUMPS.COM
 http://WWW.MTHPUMPS.COM



T51 SERIES

Performance Curves

E51 • T51 SERIES PUMPS



— — — Indicates altered performance at NPSH Available
 * Horsepower data is valid for 1.0 specific gravity fluids only



MTH PUMPS

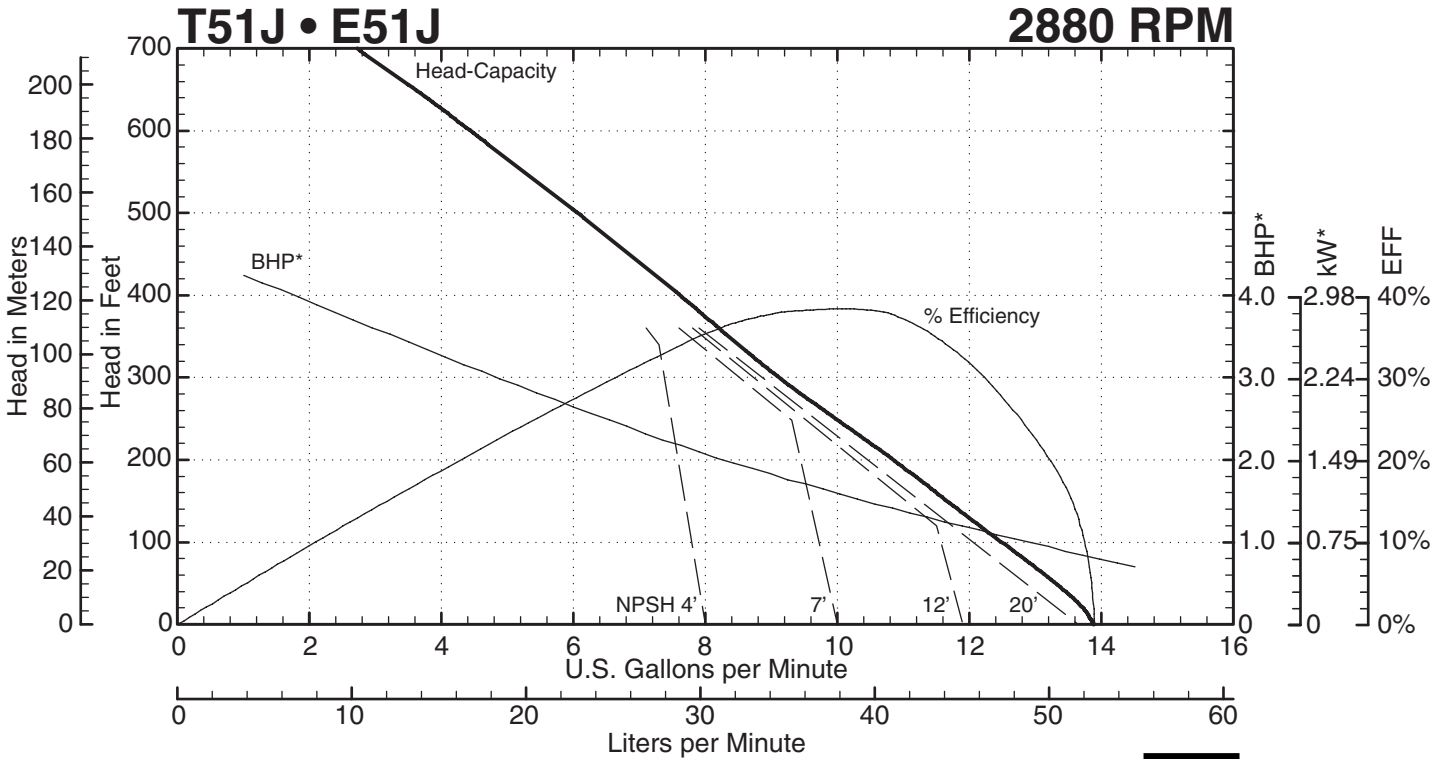
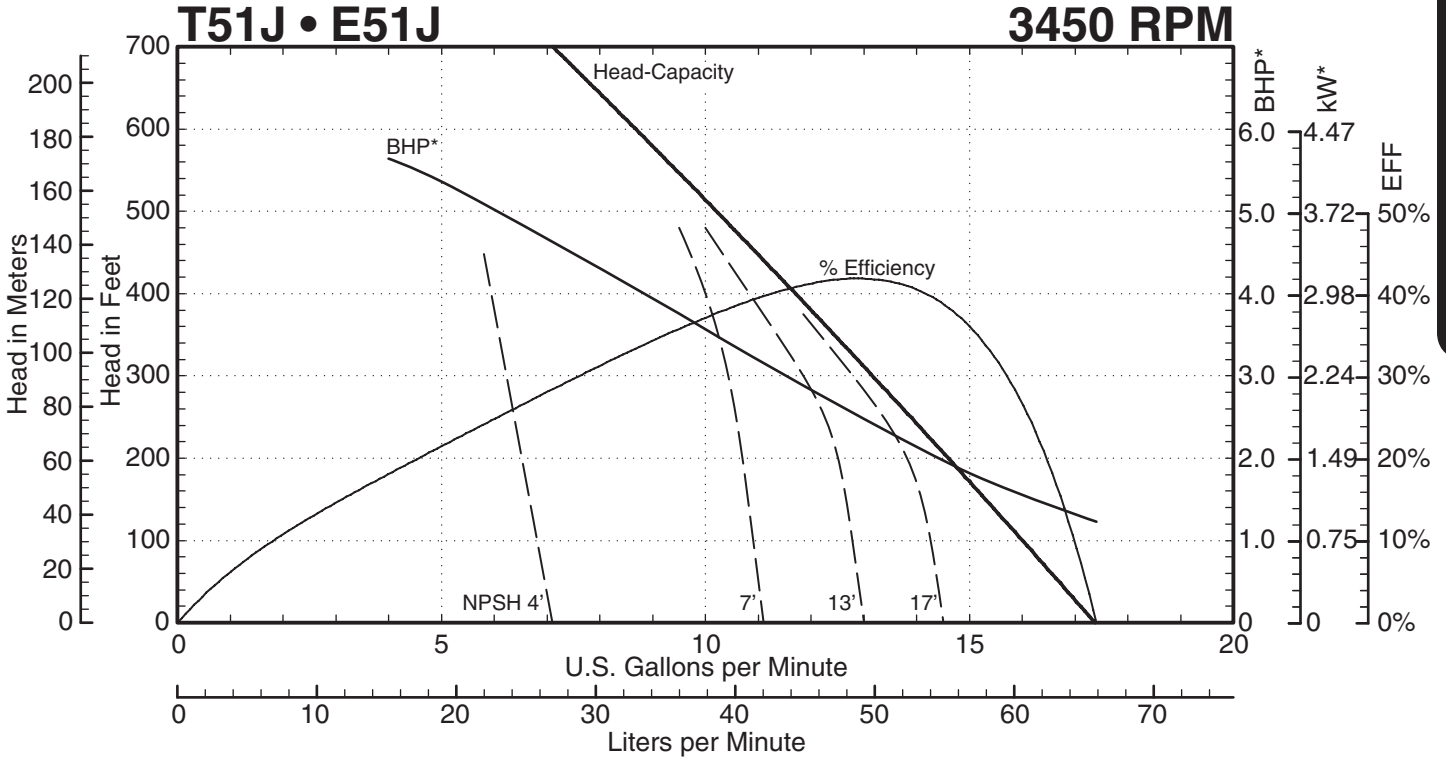
401 West Main Street • Plano, IL 60545-1436
 Phone: 630-552-4115 • Fax: 630-552-3688
 Email: SALES@MTHPUMPS.COM
<http://WWW.MTHPUMPS.COM>



T51 SERIES

Performance Curves

E51 • T51 SERIES PUMPS



— — — Indicates altered performance at NPSH Available
 * Horsepower data is valid for 1.0 specific gravity fluids only



MTH PUMPS

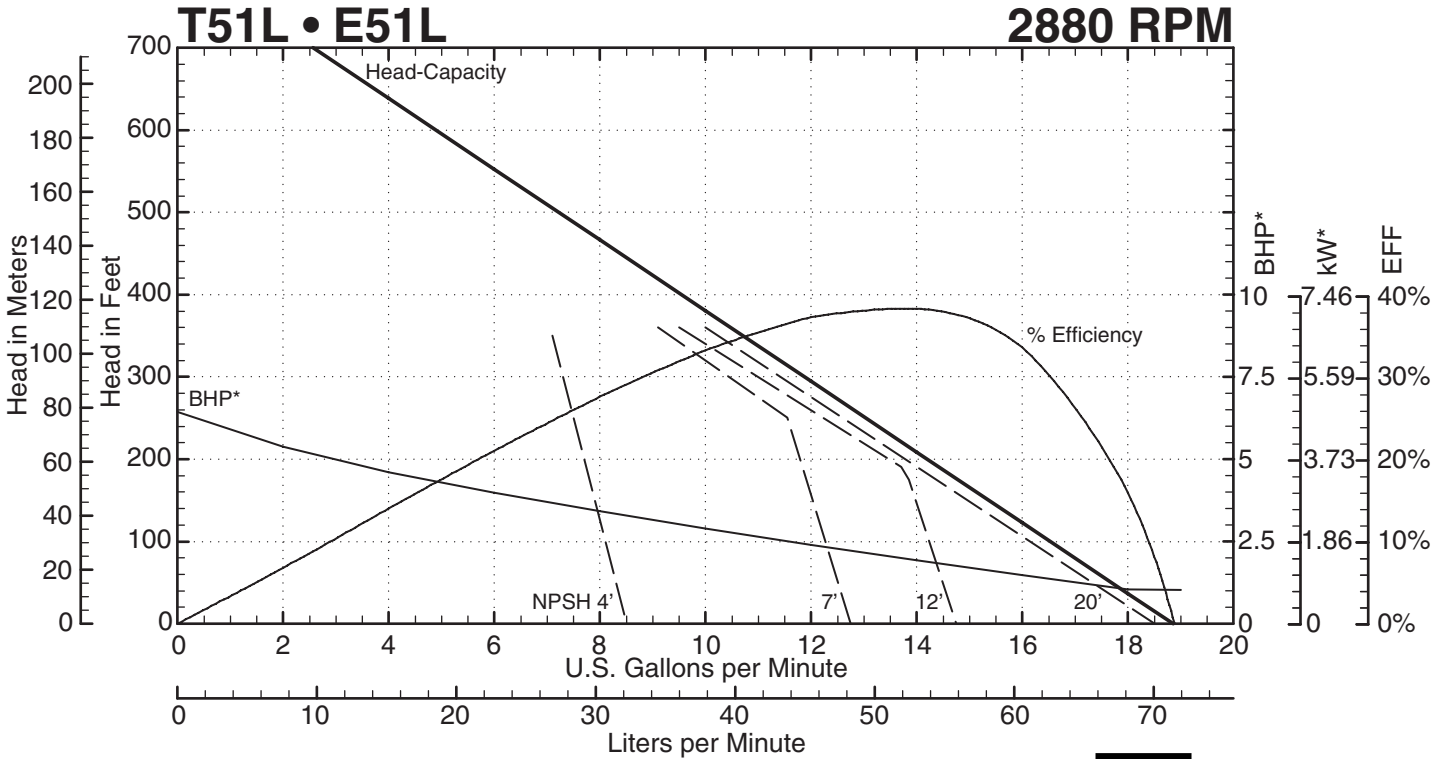
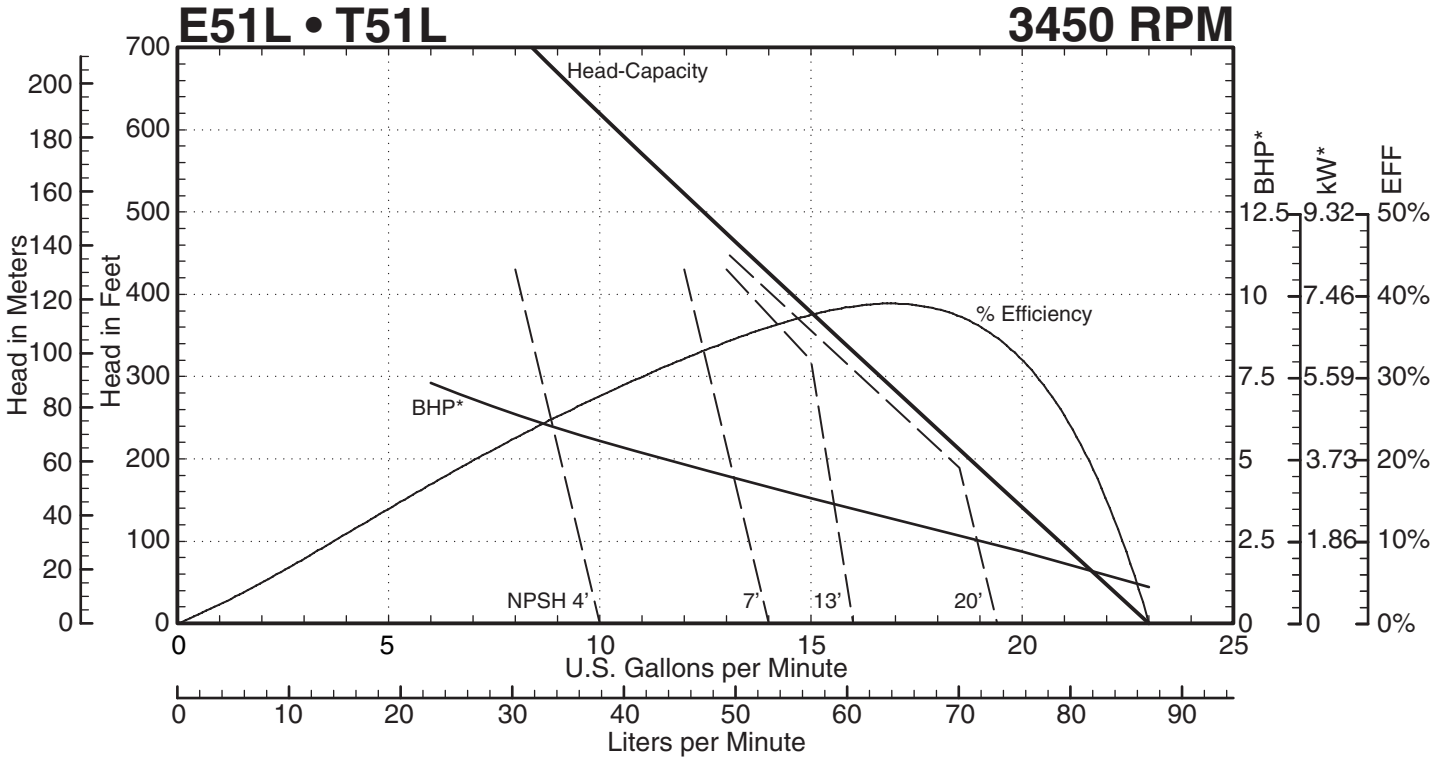
401 West Main Street • Plano, IL 60545-1436
 Phone: 630-552-4115 • Fax: 630-552-3688
 Email: SALES@MTHPUMPS.COM
 http://WWW.MTHPUMPS.COM



T51 SERIES

Performance Curves

E51 • T51 SERIES PUMPS



— — — Indicates altered performance at NPSH Available
 * Horsepower data is valid for 1.0 specific gravity fluids only



MTH PUMPS

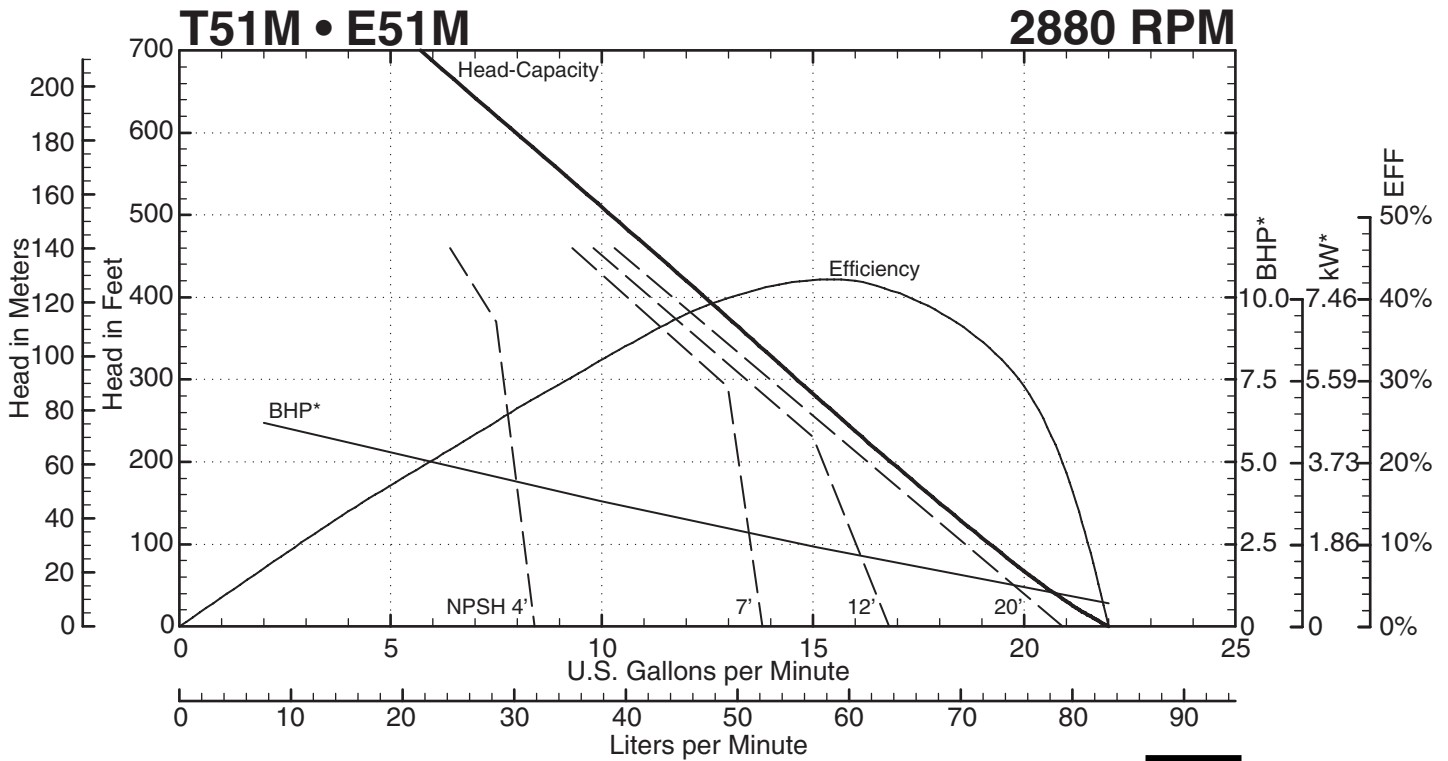
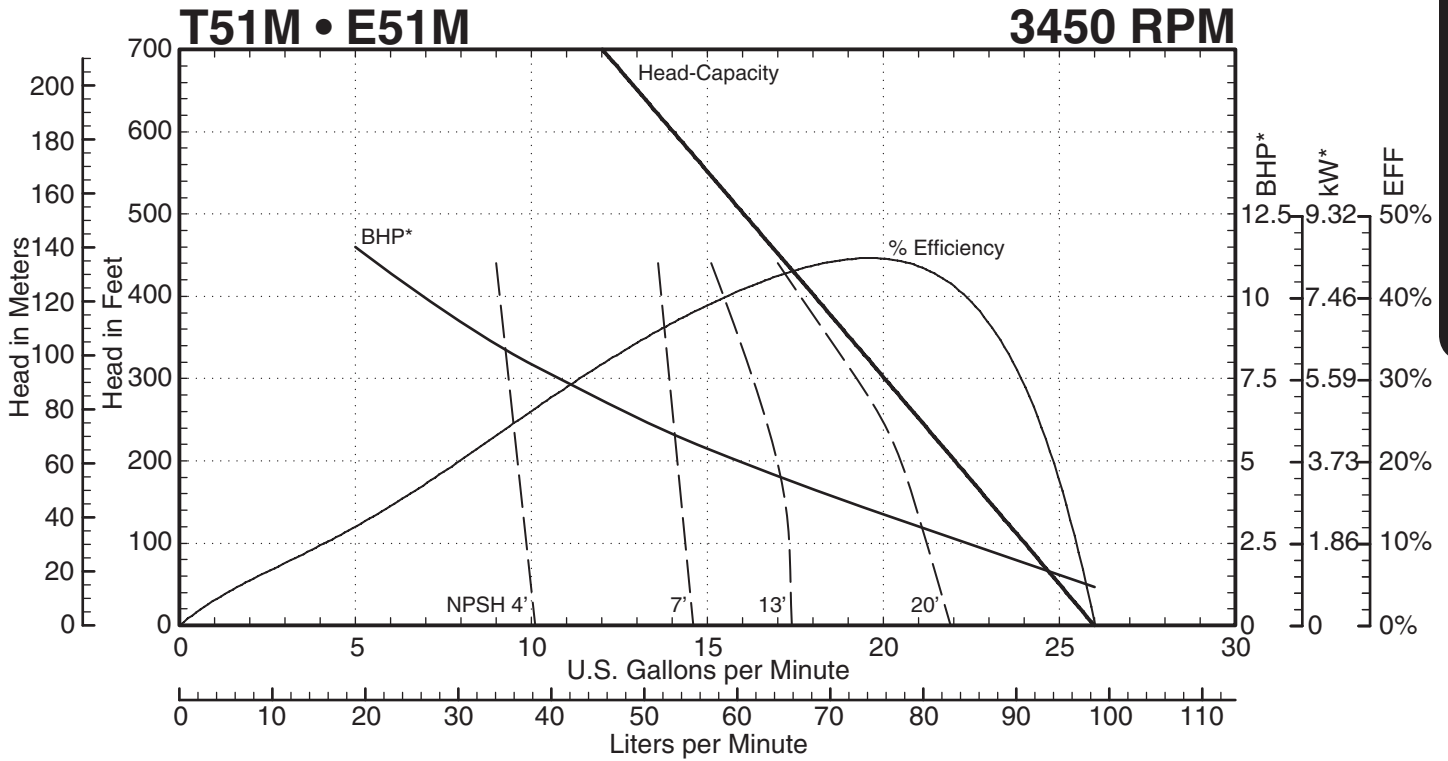
401 West Main Street • Plano, IL 60545-1436
 Phone: 630-552-4115 • Fax: 630-552-3688
 Email: SALES@MTHPUMPS.COM
<http://WWW.MTHPUMPS.COM>



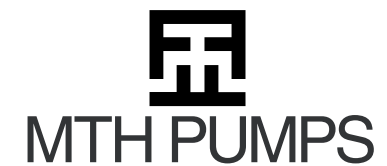
T51 SERIES

Performance Curves

E51 • T51 SERIES PUMPS



— — — Indicates altered performance at NPSH Available
 * Horsepower data is valid for 1.0 specific gravity fluids only



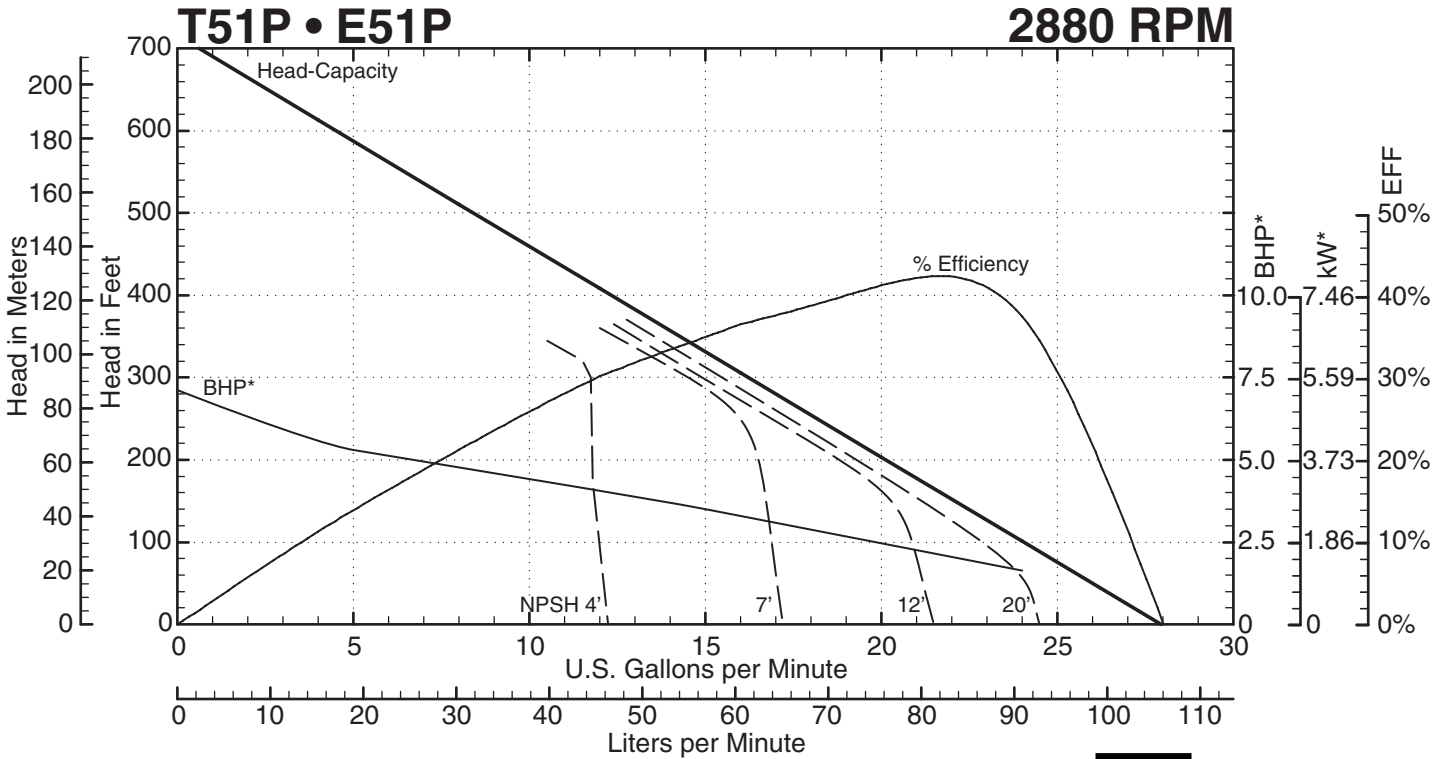
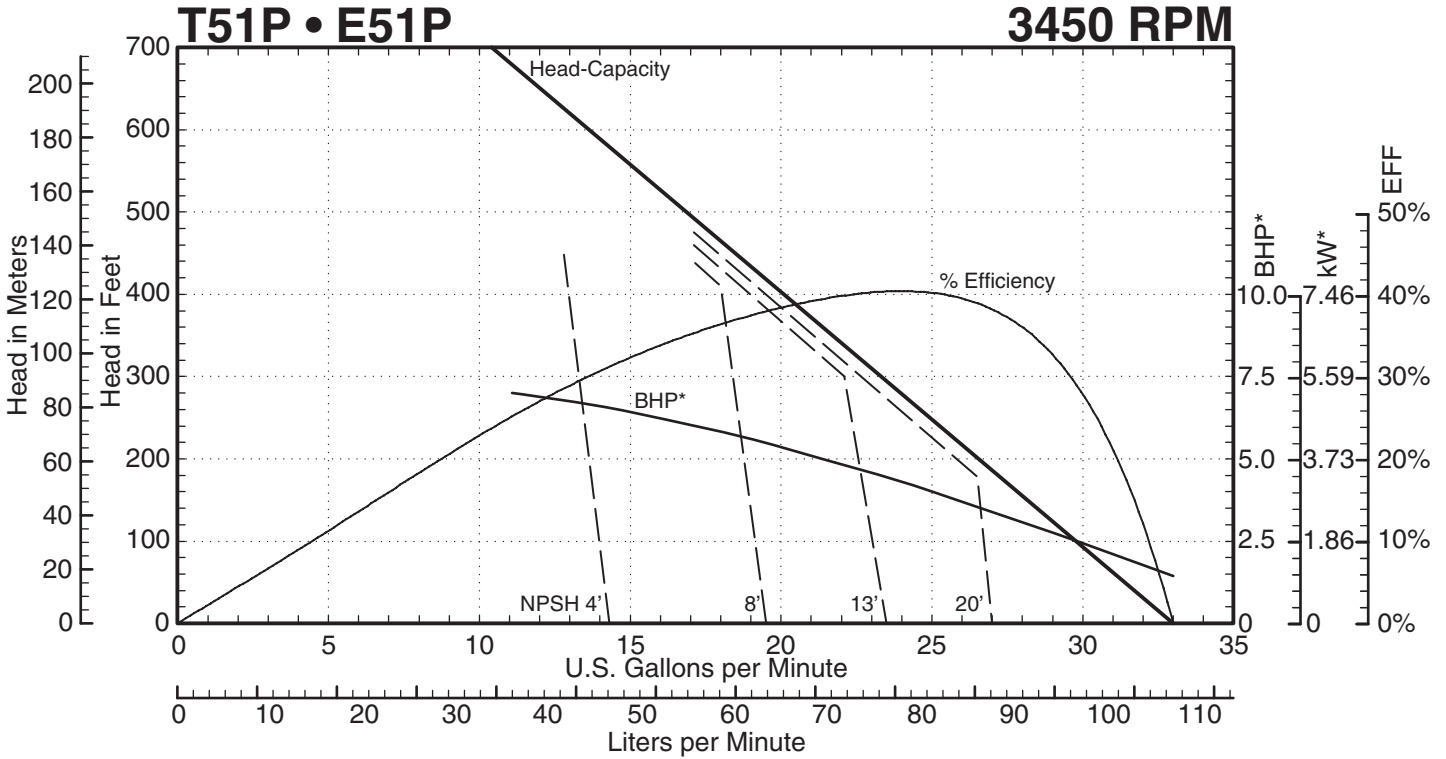
401 West Main Street • Plano, IL 60545-1436
 Phone: 630-552-4115 • Fax: 630-552-3688
 Email: SALES@MTHPUMPS.COM
 http://WWW.MTHPUMPS.COM



T51 SERIES

Performance Curves

E51 • T51 SERIES PUMPS



DOE Compliance: IMP DIA = 4.30" PEIcl = 0.70

— — — — — Indicates altered performance at NPSH Available

* Horsepower data is valid for 1.0 specific gravity fluids only



MTH PUMPS

401 West Main Street • Plano, IL 60545-1436

Phone: 630-552-4115 • Fax: 630-552-3688

Email: SALES@MTHPUMPS.COM

http://WWW.MTHPUMPS.COM



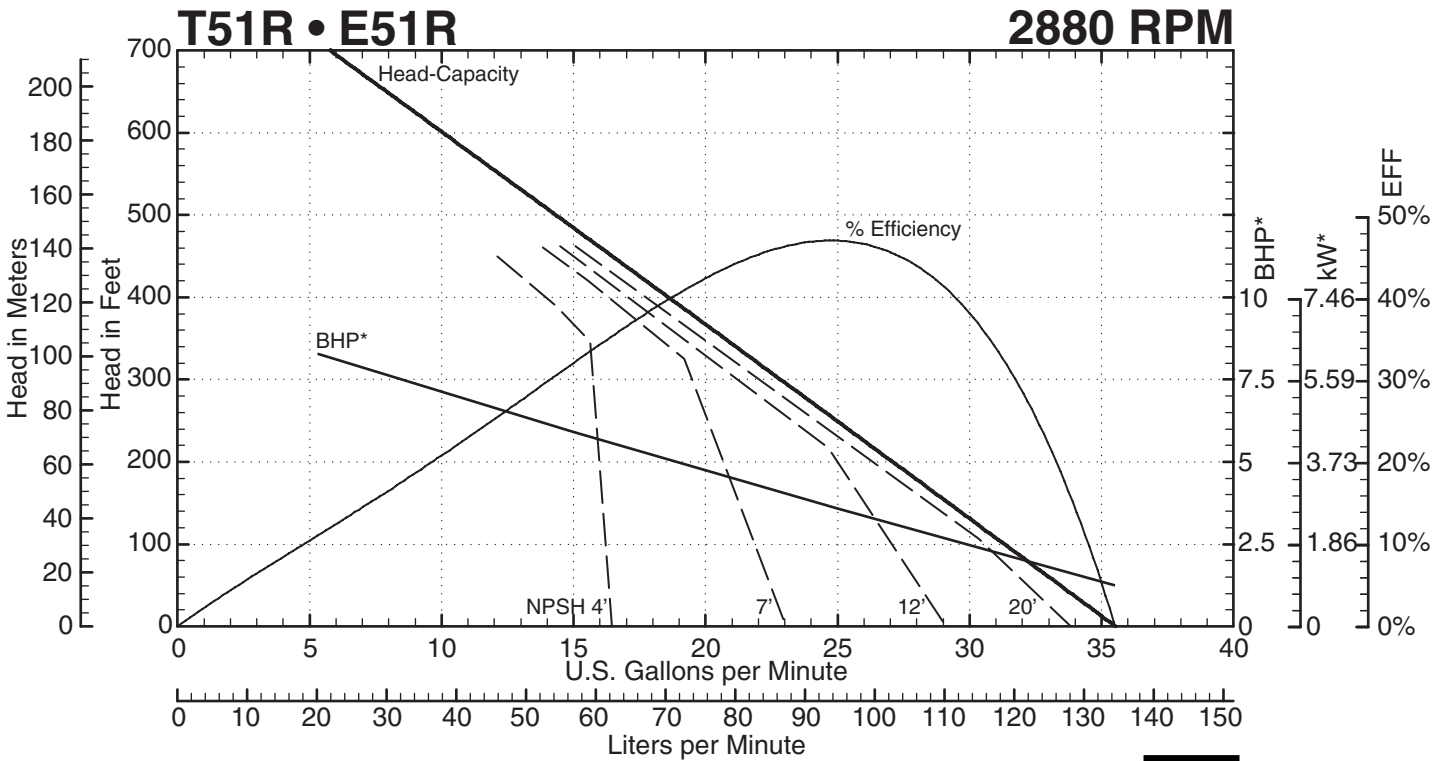
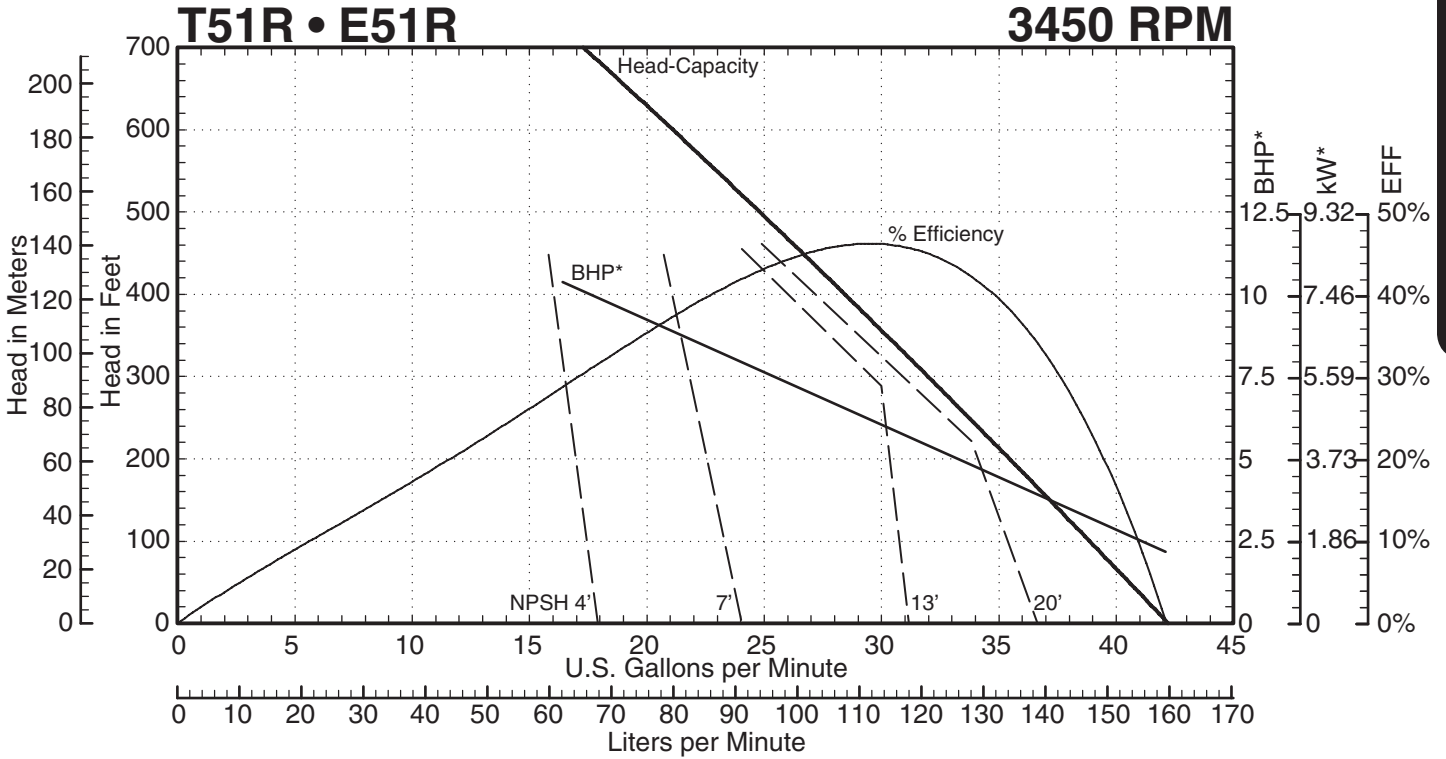
WARNING:

CANCER AND REPRODUCTIVE HARM
 WWW.P65WARNINGS.CA.GOV

T51 SERIES

Performance Curves

E51 • T51 SERIES PUMPS



DOE Compliance: IMP DIA = 4.30" PEIcl = 0.13

— — — — — Indicates altered performance at NPSH Available

* Horsepower data is valid for 1.0 specific gravity fluids only



MTH PUMPS

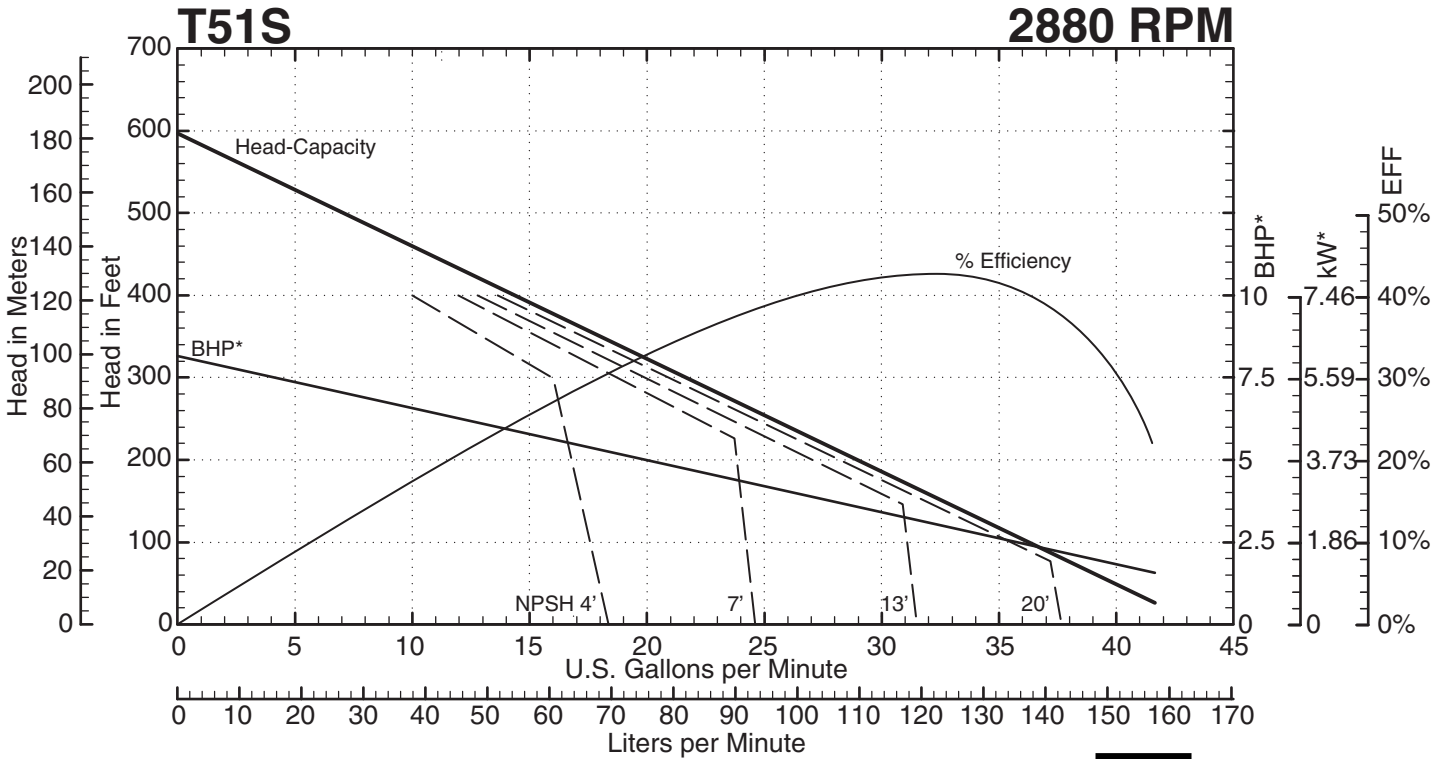
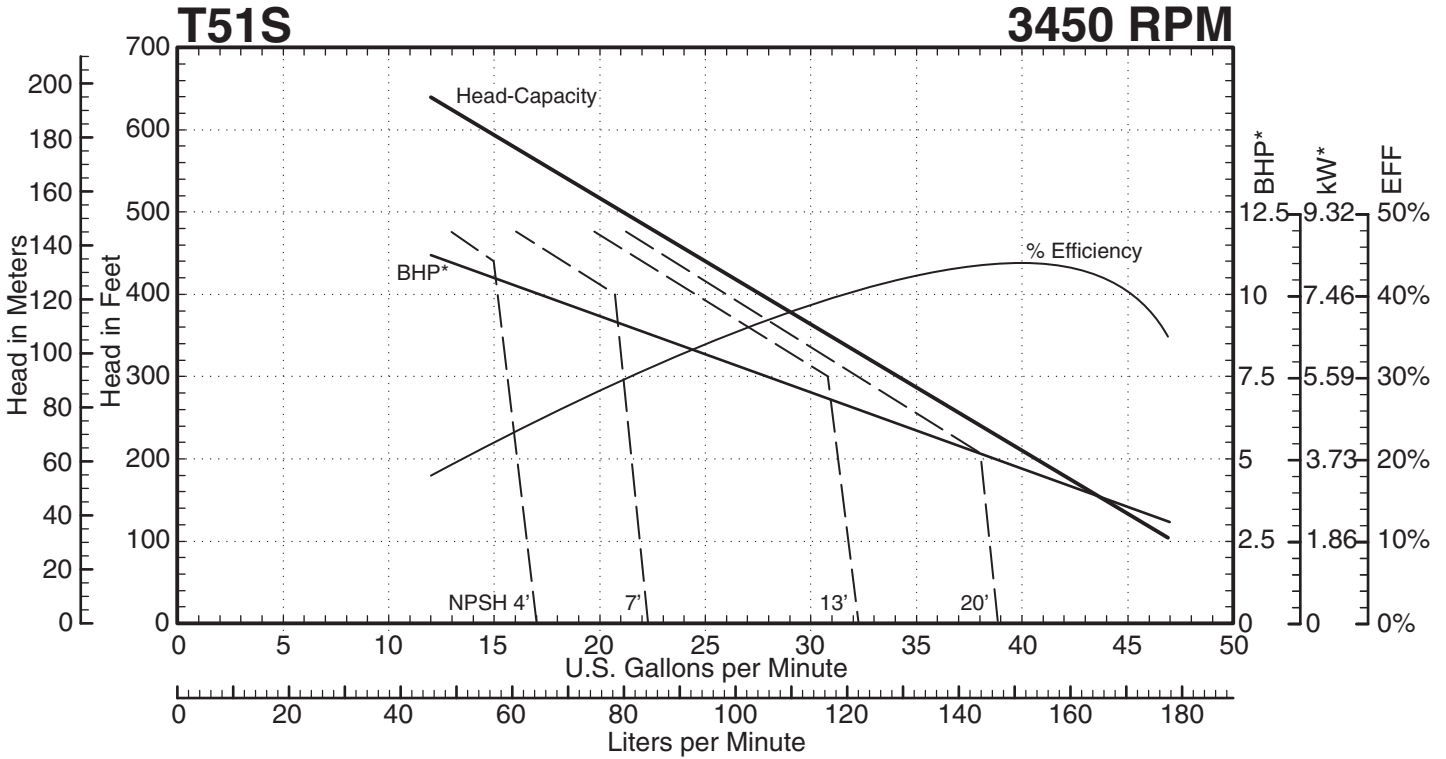
401 West Main Street • Plano, IL 60545-1436
 Phone: 630-552-4115 • Fax: 630-552-3688
 Email: SALES@MTHPUMPS.COM
 http://WWW.MTHPUMPS.COM



T51 SERIES

Performance Curves

E51 • T51 SERIES PUMPS



DOE Compliance: IMP DIA = 4.30" PEIcl = 0.62

— — — — — Indicates altered performance at NPSH Available

* Horsepower data is valid for 1.0 specific gravity fluids only



MTH PUMPS

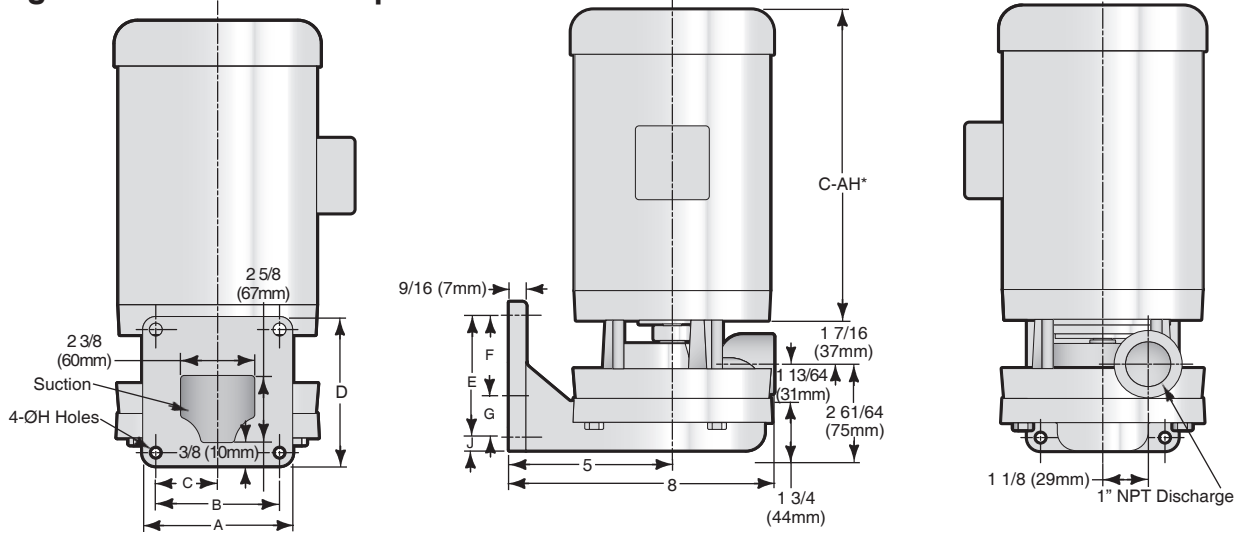
401 West Main Street • Plano, IL 60545-1436
 Phone: 630-552-4115 • Fax: 630-552-3688
 Email: SALES@MTHPUMPS.COM
 http://WWW.MTHPUMPS.COM



T51 SERIES

Dimensions

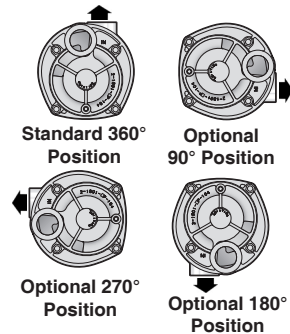
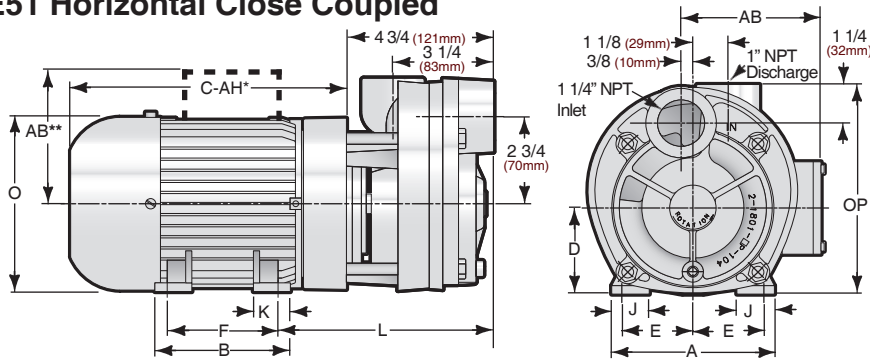
Flange Mounted Close Coupled



56C Thru 215TC Motor Frames

FLANGE STYLE	A	B	C	D	E	F	G	H	J
AU (7 1/2 x 4 1/2)	7 1/2 (191mm)	6 1/4 (159mm)	3 1/8 (79mm)	4 1/2 (114mm)	3 1/4 (83mm)	2 1/8 (54mm)	1 1/8 (29mm)	9/16 (14mm)	5/8 (16mm)
DB (4 1/2 x 4 1/2)	4 1/2 (114mm)	3.270 (83mm)	1.635 (42mm)	4 1/2 (114mm)	3.270 (83mm)	2.135 (54mm)	1.135 (29mm)	1/2 (13mm)	.615 (16mm)
FE (7 3/4 x 4 3/4)	7 1/2 (191mm)	6 1/4 (159mm)	3 1/8 (79mm)	4 1/2 (114mm)	3 1/2 (89mm)	2 1/4 (57mm)	1 1/4 (32mm)	9/16 (14mm)	1/2 (13mm)
PA (6 1/2 x 3 3/4)	6 1/2 (165mm)	5 1/2 (140mm)	2 3/4 (70mm)	3 3/4 (95mm)	2 5/8 (67mm)	1 1/2 (38mm)	1 1/8 (29mm)	9/16 (14mm)	5/8 (16mm)
SH & BU (6 1/4 x 4)	6 1/4 (159mm)	5 (127mm)	2 1/2 (64mm)	4 (102mm)	2 3/4 (70mm)	1 5/8 (41mm)	1 1/8 (29mm)	9/16 (14mm)	5/8 (16mm)
SK (6 1/8 x 4 1/8)	6.13 (156mm)	4.94 (125mm)	2.47 (63mm)	4.13 (105mm)	2.69 (68mm)	1.66 (42mm)	1.03 (26mm)	9/16 (14mm)	.72 (18mm)
ST (5 x 5)	5 (127mm)	3 3/4 (95mm)	1 7/8 (48mm)	5 (127mm)	3 3/4 (95mm)	2 5/8 (67mm)	1 1/8 (29mm)	1/2 (13mm)	5/8 (16mm)
WI (5 x 5)	5 (127mm)	4 1/8 (105mm)	2 1/16 (53mm)	5 (127mm)	4 1/8 (105mm)	2 13/16 (71mm)	1 5/16 (33mm)	7/16 (11mm)	7/16 (11mm)

E51 Horizontal Close Coupled



48 Thru 90 Motor Frames

FRAME	A	AB	B	D	E	F	J	K	L	O	OP
48	6.14 (156mm)	---	3.54 (90mm)	3.00 (76mm)	2.12 (54mm)	2.72 (69mm)	---	---	7.33 (186mm)	5.64 (143mm)	7.00 (178mm)
56	6.53 (166mm)	---	6.50 (165mm)	3.50 (89mm)	2.44 (62mm)	3.00 (76mm)	---	---	7.98 (203mm)	6.54 (166mm)	7.50 (191mm)
71	5.22 (133mm)	4.82 (122mm)	4.33 (110mm)	2.80 (71mm)	2.20 (56mm)	3.54 (90mm)	1.20 (30mm)	1.19 (30mm)	7.2 (183mm)	5.61 (142mm)	6.80 (173mm)
80	5.93 (151mm)	5.49 (139mm)	5.90 (150mm)	3.15 (80mm)	2.46 (62mm)	3.94 (100mm)	1.39 (35mm)	1.38 (35mm)	7.58 (193mm)	6.26 (159mm)	7.15 (182mm)
90	6.46 (164mm)	5.91** (150mm)	5.90 (150mm)	3.54 (90mm)	2.76 (70mm)	4.92 (125mm)	1.40 (36mm)	1.65 (42mm)	7.25 (184mm)	7.02 (178mm)	7.54 (192mm)

**Denotes conduit box mounted on top(90 frame only)

NOTES

All dimensions in inches (mm). May vary ± 1/4 inches.

Not for construction purposes unless certified.

*See motor dimensions for "C-AH" dimension (Varies depending on motor enclosure).

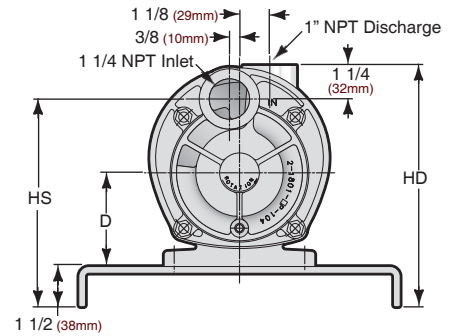
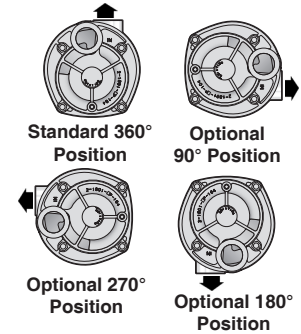
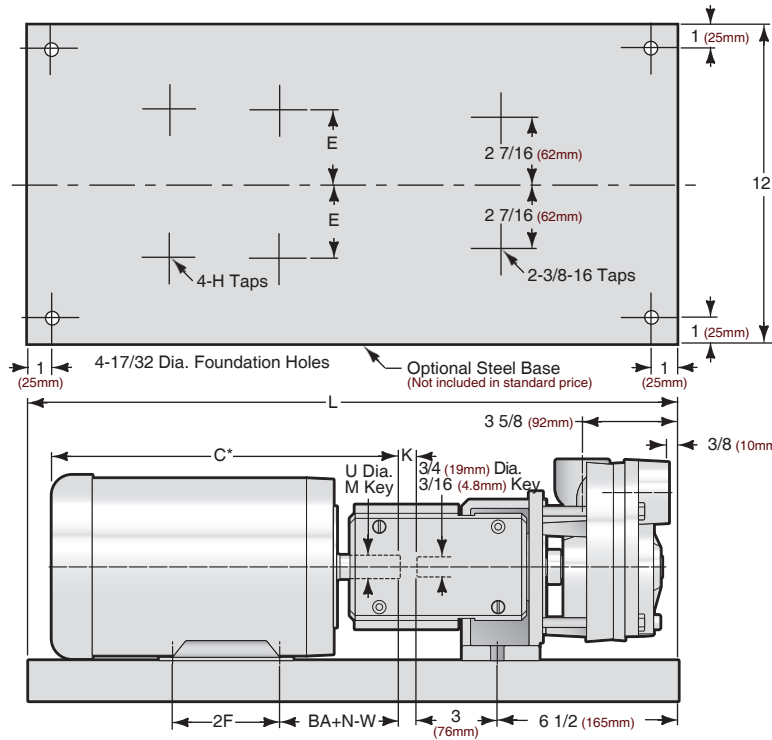


401 West Main Street • Plano, IL 60545-1436
 Phone: 630-552-4115 • Fax: 630-552-3688
 Email: SALES@MTHPUMPS.COM
 http://WWW.MTHPUMPS.COM



T51 SERIES Dimensions

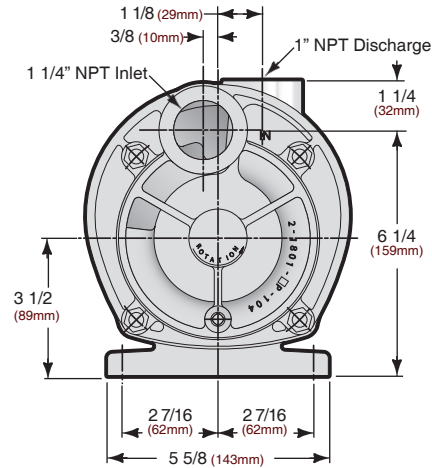
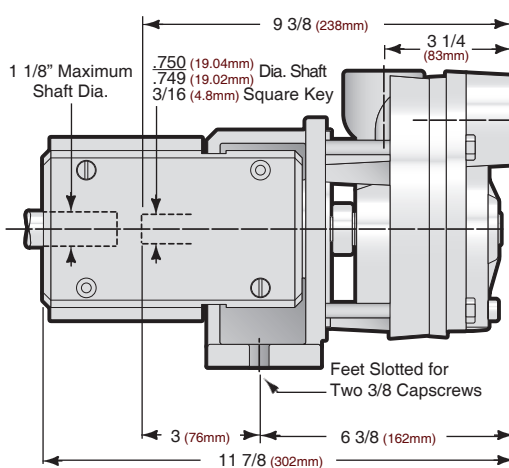
P3 Bearing Frame



56T Thru 184T Motor Frames

FRAME	D	U	BA+N-W	2F	E	H	K	HS	HD	L	M
56 T	3 1/2 (89mm)	5/8 (16mm)	4 5/8 (117mm)	3 (76mm)	2 7/16 (62mm)	5/16 - 18	5/8 (16mm)	7 3/4 (197mm)	9 (229mm)	24 (610mm)	3/16 (5mm)
143 T	3 1/2 (89mm)	7/8 (22mm)	4 1/2 (114mm)	4 (102mm)	2 3/4 (70mm)	5/16 - 18	5/8 (16mm)	7 3/4 (197mm)	9 (229mm)	24 (610mm)	3/16 (5mm)
145 T	3 1/2 (89mm)	7/8 (22mm)	4 1/2 (114mm)	5 (127mm)	2 3/4 (70mm)	5/16 - 18	5/8 (16mm)	7 3/4 (197mm)	9 (229mm)	24 (610mm)	3/16 (5mm)
182 T	4 1/2 (114mm)	1 1/8 (29mm)	5 1/2 (140mm)	4 1/2 (114mm)	3 3/4 (95mm)	3/8 - 16	3/4 (19mm)	8 3/4 (222mm)	10 (254mm)	26 (660mm)	1/4 (6mm)
184 T	4 1/2 (114mm)	1 1/8 (29mm)	5 1/2 (140mm)	5 1/2 (140mm)	3 3/4 (95mm)	3/8 - 16	3/4 (19mm)	8 3/4 (222mm)	10 (254mm)	26 (660mm)	1/4 (6mm)

P3 Bearing Pedestal



NOTES

All dimensions in inches (mm). May vary ± 1/4 inches.
Not for construction purposes unless certified.
*See motor dimensions for "C-AH" dimension
(Varies depending on motor enclosure).



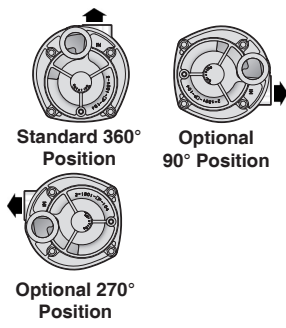
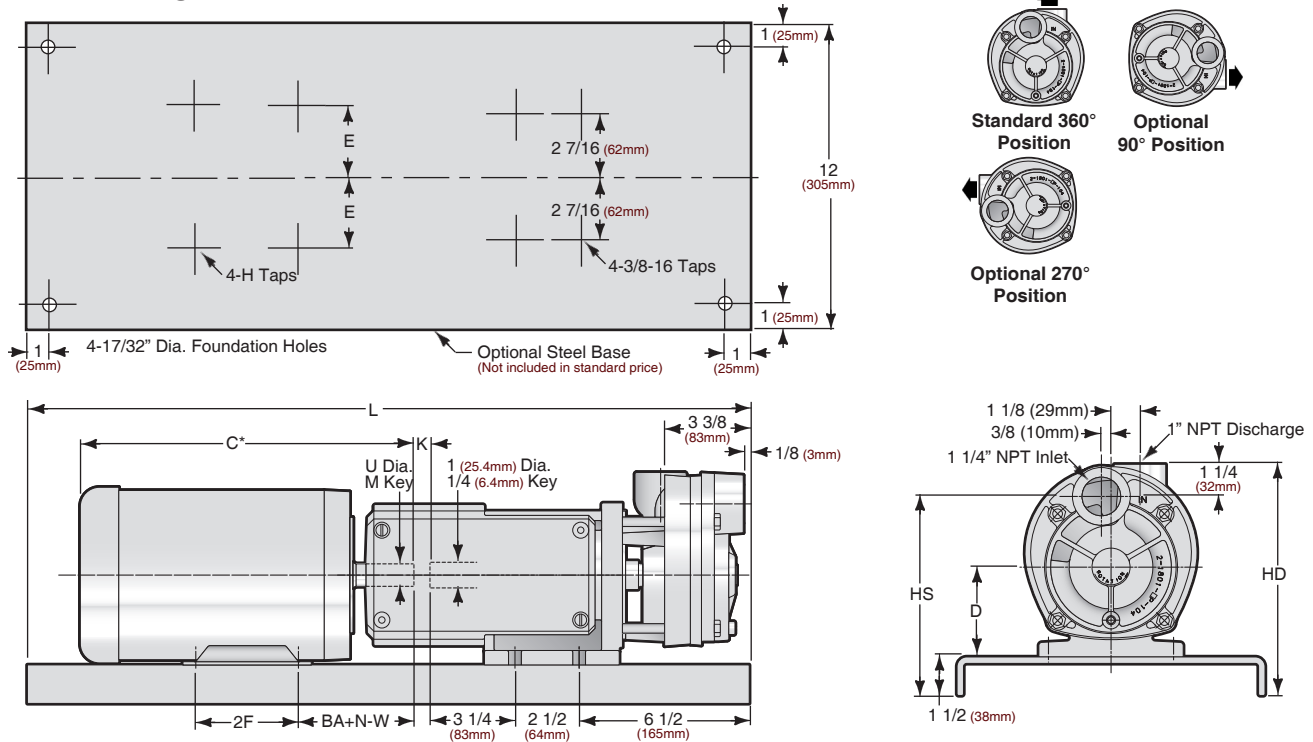
401 West Main Street • Plano, IL 60545-1436
Phone: 630-552-4115 • Fax: 630-552-3688
Email: SALES@MTHPUMPS.COM
http://WWW.MTHPUMPS.COM



T51 SERIES

Dimensions

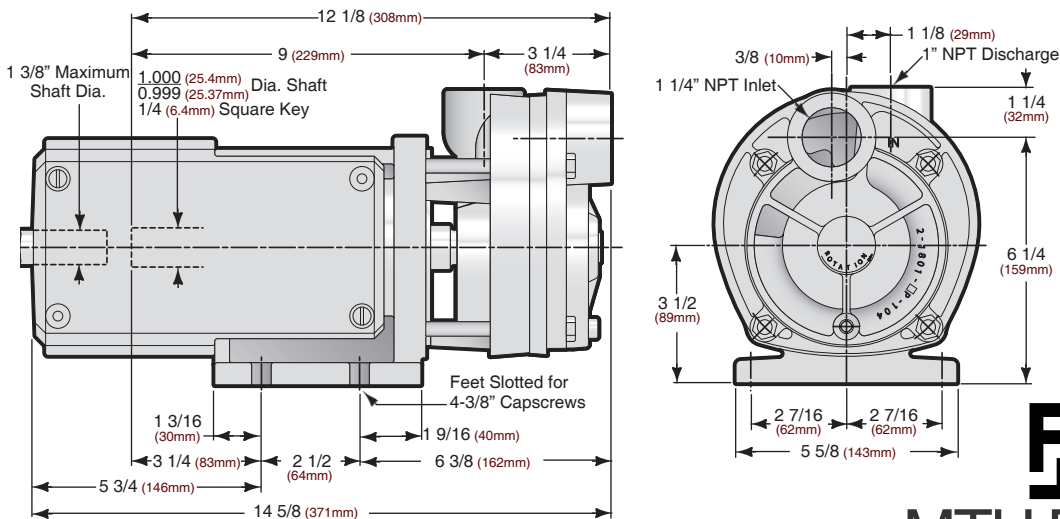
P15 Bearing Frame



143T Thru 215T Motor Frames

FRAME	D	U	BA+N-W	2F	E	H	K	HS	HD	L	M
143 T	3 1/2 (89mm)	7/8 (22mm)	4 1/2 (114mm)	4 (102mm)	2 3/4 (70mm)	5/16 - 18	5/8 (16mm)	7 3/4 (197mm)	9 (229mm)	28 (711mm)	3/16 (5mm)
145 T	3 1/2 (89mm)	7/8 (22mm)	4 1/2 (114mm)	5 (127mm)	2 3/4 (70mm)	5/16 - 18	5/8 (16mm)	7 3/4 (197mm)	9 (229mm)	28 (711mm)	3/16 (5mm)
182 T	4 1/2 (114mm)	1 1/8 (29mm)	5 1/2 (140mm)	4 1/2 (114mm)	3 3/4 (95mm)	3/8 - 16	3/4 (19mm)	8 3/4 (222mm)	10 (254mm)	30 (762mm)	1/4 (6mm)
184 T	4 1/2 (114mm)	1 1/8 (29mm)	5 1/2 (140mm)	5 1/2 (140mm)	3 3/4 (95mm)	3/8 - 16	3/4 (19mm)	8 3/4 (222mm)	10 (254mm)	30 (762mm)	1/4 (6mm)
213 T	5 1/4 (133mm)	1 3/8 (35mm)	6 7/8 (175mm)	5 1/2 (140mm)	4 1/4 (108mm)	3/8 - 16	7/8 (22mm)	9 1/2 (241mm)	10 3/4 (273mm)	33 (838mm)	5/16 (8mm)
215 T	5 1/4 (133mm)	1 3/8 (35mm)	6 7/8 (175mm)	7 (178mm)	4 1/4 (108mm)	3/8 - 16	7/8 (22mm)	9 1/2 (241mm)	10 3/4 (273mm)	33 (838mm)	5/16 (8mm)

P15 Bearing Pedestal



NOTES

All dimensions in inches (mm). May vary ± 1/4 inches.
 Not for construction purposes unless certified.
 *See motor dimensions for "C-AH" dimension
 (Varies depending on motor enclosure).



401 West Main Street • Plano, IL 60545-1436
 Phone: 630-552-4115 • Fax: 630-552-3688
 Email: SALES@MTHPUMPS.COM
 http://WWW.MTHPUMPS.COM

